



Smart [3] ESALITE Smart [PRO]  
2.0  
LIGHTING INNOVATIONS



**GEWISS**



# Smart [3]

A new concept in of LED lighting

Watertight LED luminaires - compact and elegant design, high performance, with a high IP rating to protect the fitting from dust and water ingress. The range can be adapted for any environment,

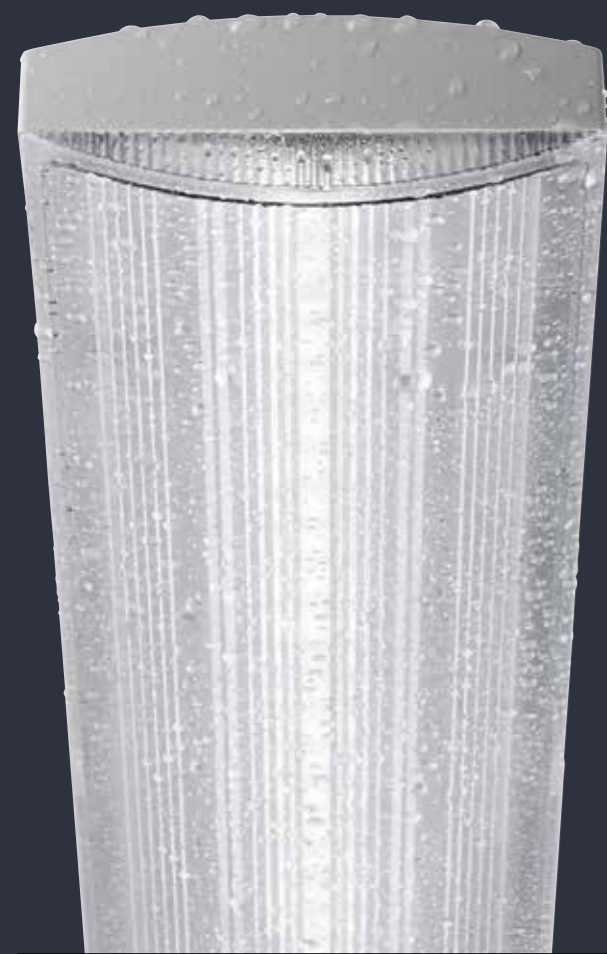
including relatively high ceiling spaces, is quick and easy to install, and very low maintenance.



reddot award 2017  
winner lighting design

# The ideal solution for any environment

The **design** and geometries of these new luminaires are designed around the compact dimensions of the latest LED technology, adding clean and modern architectural design to any environment. With its exceptional features, the **Smart [3]** range won the coveted **Red Dot Award** (Product Design 2017), one of the most prestigious annual international **design awards**, featuring a jury of 40 experts.



## EXTREME RESISTANCE

A high IP (Ingress Protection) rating, earth-free insulation and high impact resistance ensures Smart [3] withstands damp, dirt and atmospheric particles.



## EASY REPLACEMENT

Smart [3] features an innovative installation system, with adjustable fixing points so you can replace traditional lighting systems quickly and easily.



less than  
**1.5Kg**

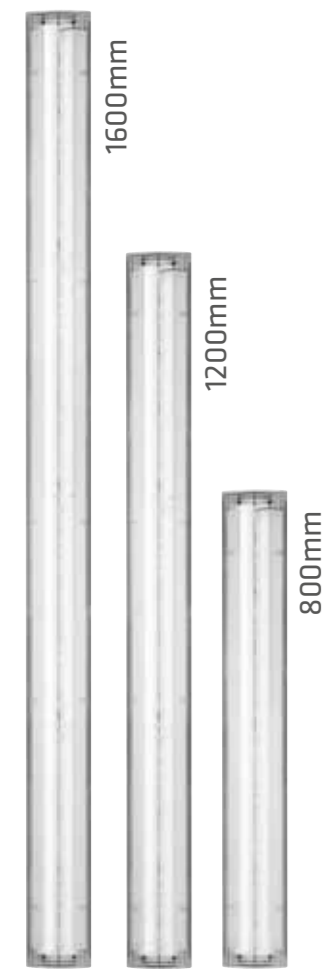
## DESIGNED FOR LED

The design and geometries of the new Smart [3] luminaires are purposely conceived for the compact dimensions of LED technology, adding a touch of elegance and lightness in every context.

Elegant,  
efficient,  
versatile  
and safe

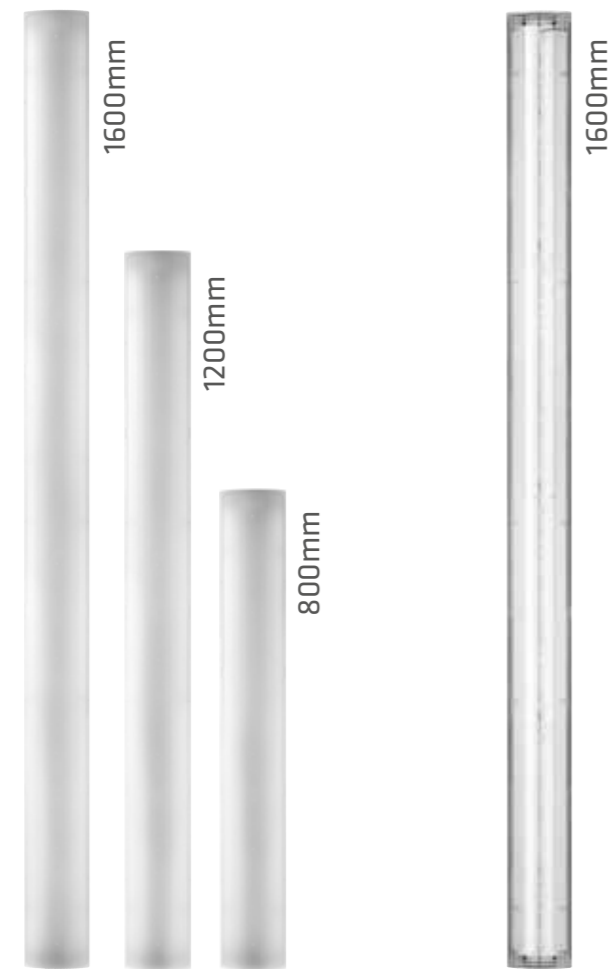
# Range

## Smart [3]



Transparent shield

## Smart [3]S



Opal shield

Transparent shield



Versions with feed-through wiring for all Smart [3] products



Optional emergency kit available for all Smart [3] products

# Technical data



SMART [3]



Smart [3]S

	SMART [3]	Smart [3]S
<b>Insulation class</b>	CL2	
<b>Degree of protection</b>	IP66 / IP69	
<b>Impact resistance</b>	IK08	
<b>Finishes</b>	Opal or Transparent	
<b>System power</b>	Up to 50W	Up to 67W
<b>Lumen output</b>	Up to 6.5Klm	Up to 8.2Klm
<b>Efficiency</b>	Up to 130lm/W	Up to 123lm/W
<b>Colour temperature</b>	3000K - 4000K - 5700K	
<b>CRI</b>	80	
<b>Operating temperature</b>	-30°C to +50°C	-20°C to +35°C
<b>Supply voltage</b>	220-240V 50/60Hz	
<b>LED</b>	MID Power	
<b>Lifespan</b>	L80B20: 85,000h	L80B50 >100,000h

SMART [3]



WIRED VERSIONS - IP66/IP69 - CLASS II

Code	Length	LED number	Colour temperature	System power	Nominal flux (lm)	Lumen output (lm)	Pack Carton
<b>Transparent shield - Voltage: 220/240V - 50/60 Hz - Stand alone</b>							
GW S3 118 T	800mm	36	4000 K (CRI 80)	15W	2000	1670	1/90
GW S3 136 T	1200mm	54	4000 K (CRI 80)	20W	3010	2510	1/90
GW S3 158 T	1600mm	72	4000 K (CRI 80)	26W	4020	3340	1/90
GW S3 218 T	800mm	42	4000 K (CRI 80)	26W	4140	3450	1/90
GW S3 236 T	1200mm	63	4000 K (CRI 80)	43W	6200	5180	1/90
GW S3 258 T	1600mm	84	4000 K (CRI 80)	53 W	8290	6900	1/90

Transparent shield - Voltage: 220/240V - 50/60 Hz - DALI

GW S3 118 TD	800mm	36	4000 K (CRI 80)	18W	2000	1670	1/90
GW S3 136 TD	1200mm	54	4000 K (CRI 80)	22W	3010	2510	1/90
GW S3 158 TD	1600mm	72	4000 K (CRI 80)	27W	4020	3340	1/90
GW S3 218 TD	800mm	42	4000 K (CRI 80)	27W	4140	3450	1/90
GW S3 236 TD	1200mm	63	4000 K (CRI 80)	45W	6200	5180	1/90
GW S3 258 TD	1600mm	84	4000 K (CRI 80)	55W	8290	6900	1/90

Versions with 3000K (-30K) or 5700K (-57K) LED available upon request.

**NOTE:** the technical data may undergo variations due to the continuous evolution of LED technology.

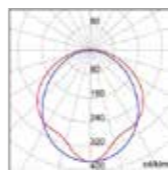
The Nominal Flux refers to Tj=85°C.

Suitable for installation indoors and outdoors (when protected from direct exposure to UV rays).

Maximum operating temperature: +50°C.

**ACCESSORIES:** female connector (closure cap on through-line versions only).

Photometric distributions



Transparent shield

SMART [3]



WIRED VERSIONS - IP66/IP69 - CLASS II

Code	Optic	Number of modules	Colour temperature	System power	Nominal flux (lm)	Lumen output (lm)	Pack Carton
<b>Opal shield - Voltage: 220/240V - 50/60 Hz - Stand alone</b>							
GW S3 118 P	800mm	36	4000 K (CRI 80)	15W	2000	1540	1/90
GW S3 136 P	1200mm	54	4000 K (CRI 80)	20W	3010	2320	1/90
GW S3 158 P	1600mm	72	4000 K (CRI 80)	26W	4020	3090	1/90
GW S3 218 P	800mm	42	4000 K (CRI 80)	26W	4140	3200	1/90
GW S3 236 P	1200mm	63	4000 K (CRI 80)	43W	6200	4800	1/90
GW S3 258 P	1600mm	84	4000 K (CRI 80)	53 W	8290	6400	1/90

Opal shield - Voltage: 220/240V - 50/60 Hz - DALI

GW S3 118 PD	800mm	36	4000 K (CRI 80)	18W	2000	1540	1/90
GW S3 136 PD	1200mm	54	4000 K (CRI 80)	22W	3010	2320	1/90
GW S3 158 PD	1600mm	72	4000 K (CRI 80)	27W	4020	3090	1/90
GW S3 218 PD	800mm	42	4000 K (CRI 80)	27W	4140	3200	1/90
GW S3 236 PD	1200mm	63	4000 K (CRI 80)	45W	6200	4800	1/90
GW S3 258 PD	1600mm	84	4000 K (CRI 80)	55W	8290	6400	1/90

Versions with 3000K (-30K) or 5700K (-57K) LED available upon request.

**NOTE:** the technical data may undergo variations due to the continuous evolution of LED technology.

The Nominal Flux refers to Tj=85°C.

Suitable for installation indoors and outdoors (when protected from direct exposure to UV rays).

Maximum operating temperature: +50°C.

**ACCESSORIES:** female connector (closure cap on through-line versions only).

Photometric distributions



Opal shield

SMART [3] S



WIRED VERSIONS - IP66/IP69 - CLASS II

Code	Length	LED number	Colour temperature	System power	Nominal flux (lm)	Lumen output (lm)	Pack Carton
<b>Transparent shield - Voltage: 220/240V - 50/60 Hz - Stand alone</b>							
GW S3 280 TS	1600	90	4000 K (CRI 80)	67W	9450	8220	1/90

Versions with an opal shield are available upon request.

**NOTE:** the technical data may undergo variations due to the continuous evolution of LED technology.

The Nominal Flux refers to Tj=85°C.

Suitable for installation indoors and outdoors (when protected from direct exposure to UV rays).

Maximum operating temperature: +35°C.

**ACCESSORIES:** female connector (closure cap on through-line versions only).

SMART [3]



FEED-THROUGH WIRING - IP66/IP69 - CLASS II

Code	Length	LED number	Colour temperature	System power	Nominal flux (lm)	Lumen output (lm)	Pack Carton
<b>Transparent shield - Voltage: 220/240V - 50/60 Hz - Stand alone</b>							
GW S3 118 TL	800mm	36	4000 K (CRI 80)	15W	2000	1670	1/90
GW S3 136 TL	1200mm	54	4000 K (CRI 80)	20W	3010	2510	1/90
GW S3 158 TL	1600mm	72	4000 K (CRI 80)	26W	4020	3340	1/90
GW S3 218 TL	800mm	42	4000 K (CRI 80)	26W	4140	3450	1/90
GW S3 236 TL	1200mm	63	4000 K (CRI 80)	43W	6200	5180	1/90
GW S3 258 TL	1600mm	84	4000 K (CRI 80)	53 W	8290	6900	1/90

Transparent shield - Voltage: 220/240V - 50/60 Hz - DALI

GW S3 118 TLD	800mm	36	4000 K (CRI 80)	18W	2000	1670	1/90
GW S3 136 TLD	1200mm	54	4000 K (CRI 80)	22W	3010	2510	1/90
GW S3 158 TLD	1600mm	72	4000 K (CRI 80)	27W	4020	3340	1/90
GW S3 218 TLD	800mm	42	4000 K (CRI 80)	27W	4140	3450	1/90
GW S3 236 TLD	1200mm	63	4000 K (CRI 80)	45W	6200	5180	1/90
GW S3 258 TLD	1600mm	84	4000 K (CRI 80)	55W	8290	6900	1/90

Versions with 3000K (-30K) or 5700K (-57K) LED available upon request.

**NOTE:** the technical data may undergo variations due to the continuous evolution of LED technology.

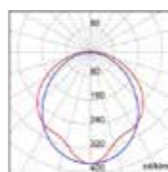
The Nominal Flux refers to Tj=85°C.

Suitable for installation indoors and outdoors (when protected from direct exposure to UV rays).

Maximum operating temperature: +50°C.

**ACCESSORIES:** female connector (closure cap on through-line versions only).

Photometric distributions



Transparent shield

SMART [3]



FEED-THROUGH WIRING - IP66/IP69 - CLASS II

Code	Optic	Number of modules	Colour temperature	System power	Nominal flux (lm)	Lumen output (lm)	Pack Carton
<b>Opal shield - Voltage: 220/240V - 50/60 Hz - Stand alone</b>							
GW S3 118 PL	800mm	36	4000 K (CRI 80)	15W	2000	1540	1/90
GW S3 136 PL	1200mm	54	4000 K (CRI 80)	20W	3010	2320	1/90
GW S3 158 PL	1600mm	72	4000 K (CRI 80)	26W	4020	3090	1/90
GW S3 218 PL	800mm	42	4000 K (CRI 80)	26W	4140	3200	1/90
GW S3 236 PL	1200mm	63	4000 K (CRI 80)	43W	6200	4800	1/90
GW S3 258 PL	1600mm	84	4000 K (CRI 80)	53 W	8290	6400	1/90

Opal shield - Voltage: 220/240V - 50/60 Hz - DALI

GW S3 118 PLD	800mm	36	4000 K (CRI 80)	18W	2000	1540	1/90
GW S3 136 PLD	1200mm	54	4000 K (CRI 80)	22W	3010	2320	1/90
GW S3 158 PLD	1600mm	72	4000 K (CRI 80)	27W	4020	3090	1/90
GW S3 218 PLD	800mm	42	4000 K (CRI 80)	27W	4140	3200	1/90
GW S3 236 PLD	1200mm	63	4000 K (CRI 80)	45W	6200	4800	1/90
GW S3 258 PLD	1600mm	84	4000 K (CRI 80)	55W	8290	6400	1/90

Versions with 3000K (-30K) or 5700K (-57K) LED available upon request.

**NOTE:** the technical data may undergo variations due to the continuous evolution of LED technology.

The Nominal Flux refers to Tj=85°C.

Suitable for installation indoors and outdoors (when protected from direct exposure to UV rays).

Maximum operating temperature: +50°C.

**ACCESSORIES:** female connector (closure cap on through-line versions only).

Photometric distributions



Opal shield

SMART [3] S



FEED-THROUGH WIRING - IP66/IP69 - CLASS II

Code	Length	LED number	Colour temperature	System power	Nominal flux (lm)	Lumen output (lm)	Pack Carton
<b>Transparent shield - Voltage: 220/240V - 50/60 Hz - Stand alone</b>							
GW S3 280 TLS	1600	90	4000 K (CRI 80)	67W	9450	8220	1/90

Versions with an opal shield are available upon request.

**NOTE:** the technical data may undergo variations due to the continuous evolution of LED technology.

The Nominal Flux refers to Tj=85°C.

Suitable for installation indoors and outdoors (when protected from direct exposure to UV rays).

Maximum operating temperature: +35°C.

Up to 25 devices can be installed in a continuous row.

**ACCESSORIES:** female connector (closure cap on through-line versions only).

# Installation



GW S3 192

### COMPLEMENTARY ITEMS FOR INSTALLATION

Code	Description	Pack Carton
GW S3 191	Pair of brackets for surface-mounting at 30° or 45°	1/10
GW S3 192	Male connector 2P 10A	1/10
GW S3 193	Adapter for solid conduit Ø 20mm	1/10

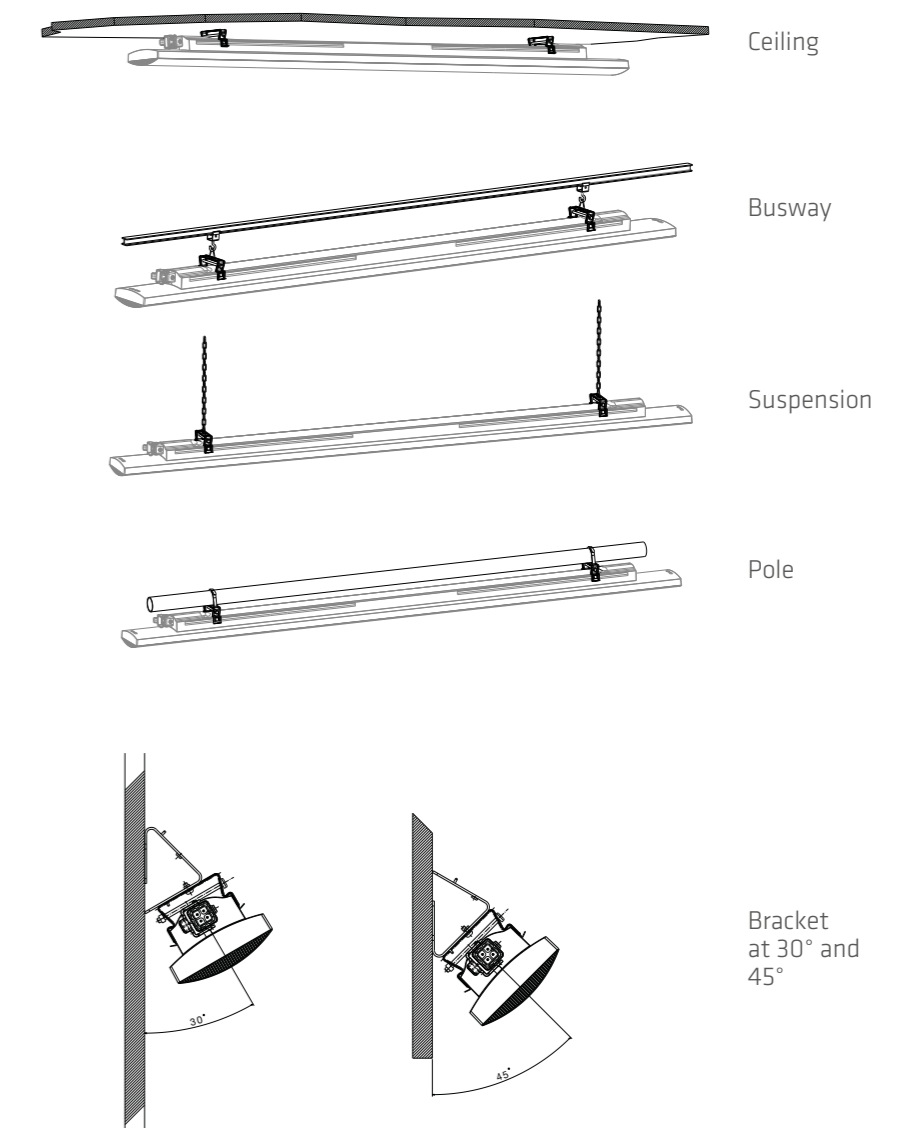
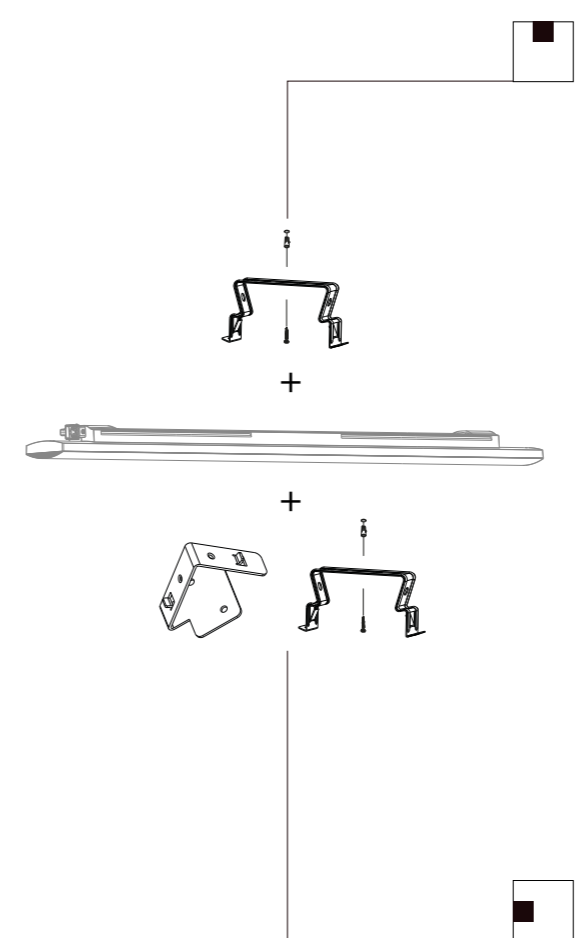


GW S3 198

### EMERGENCY KIT

Code	Description	Autonomy	Pack Carton
GW S3 198	Emergency kit for Smart [3]	3h	1

**NOTES:** Ni-Mh accumulators. 3-hour autonomy with 24h recharge time.  
 Device suitable for the emergency use of versions with feed-through wiring only.  
**ACCESSORIES:** input cable with male/female connector; output cable with female connector.



Ceiling

Busway

Suspension

Pole

Bracket at 30° and 45°

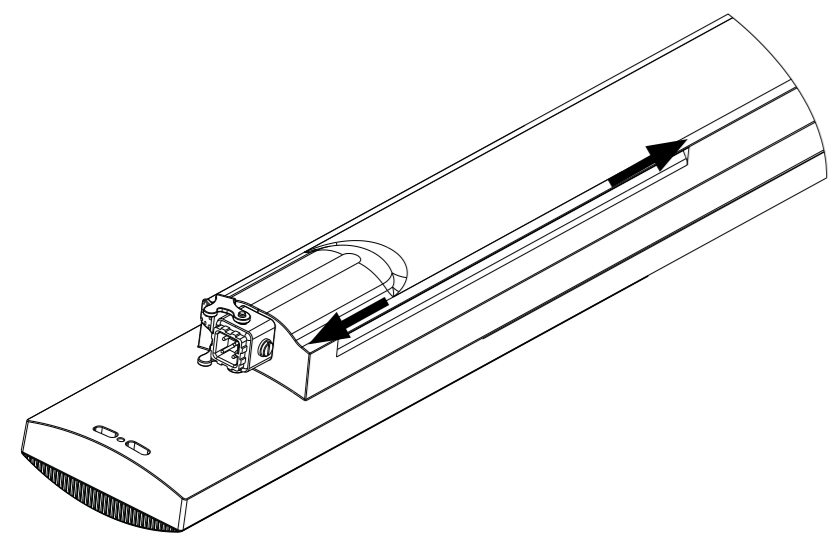


Download the instruction manual

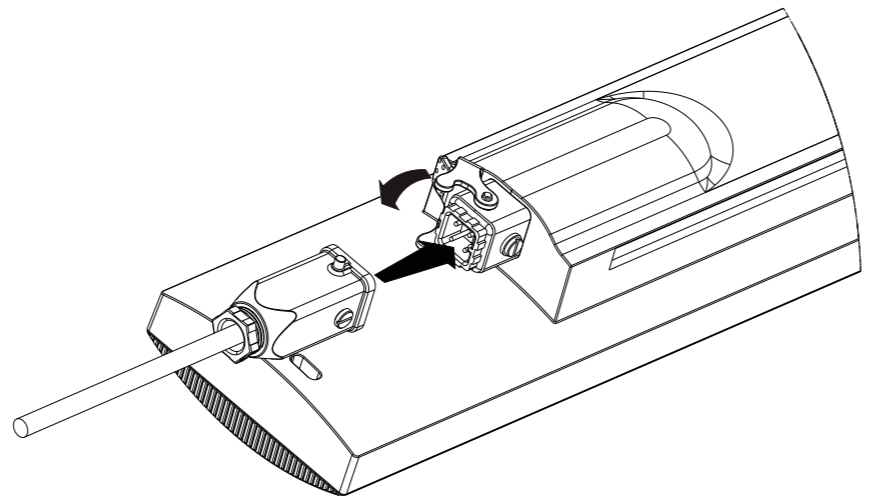


# Easy Installation Features

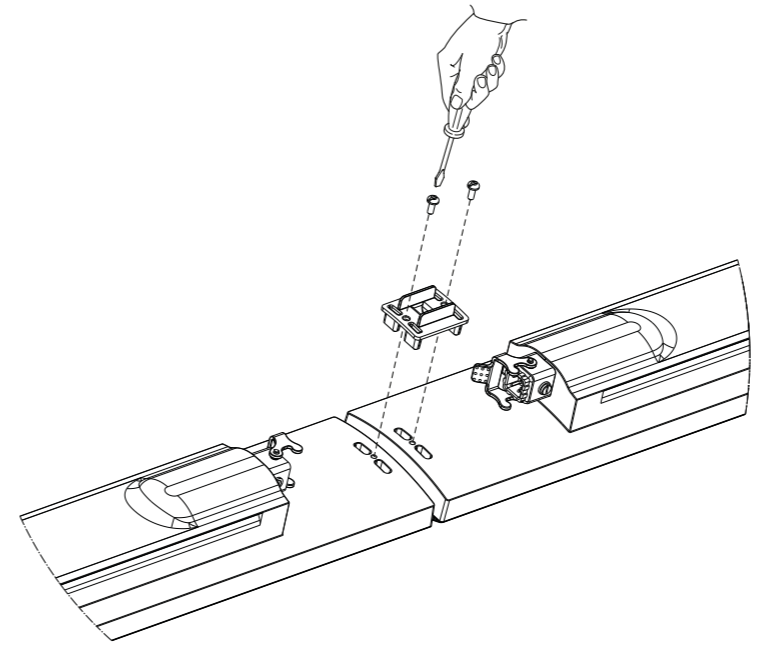
Wide fixing distance



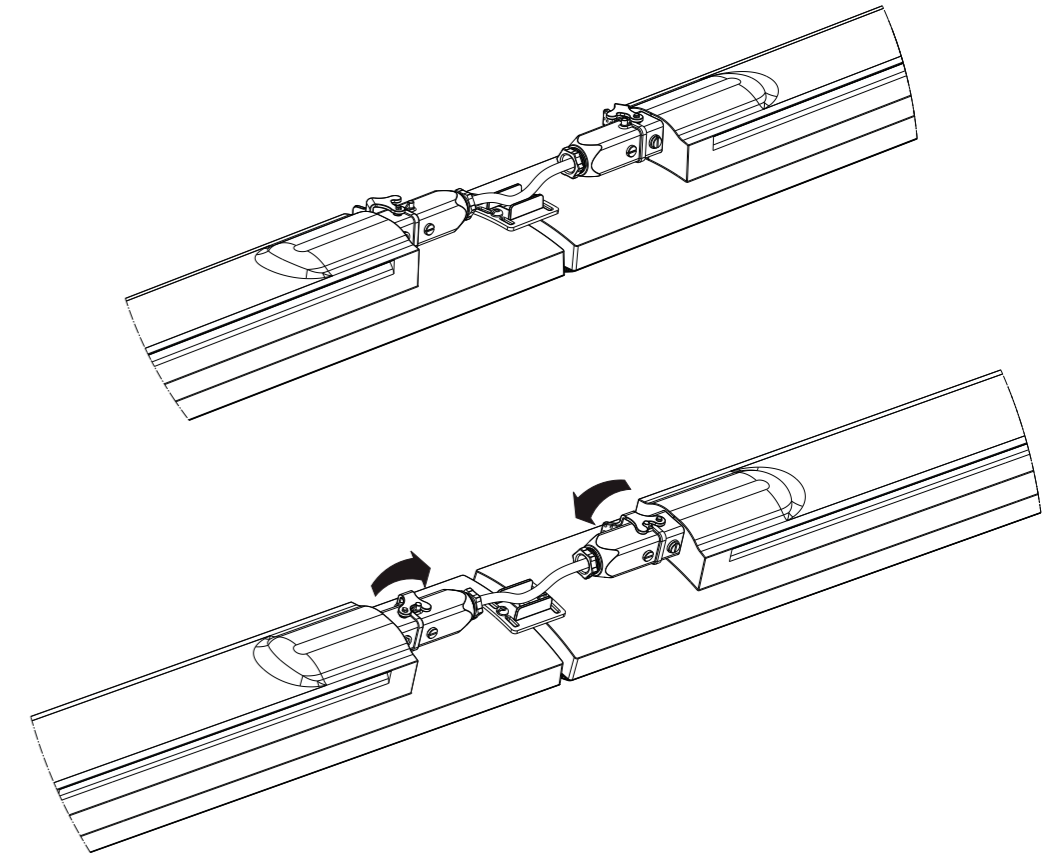
Quick wiring connector

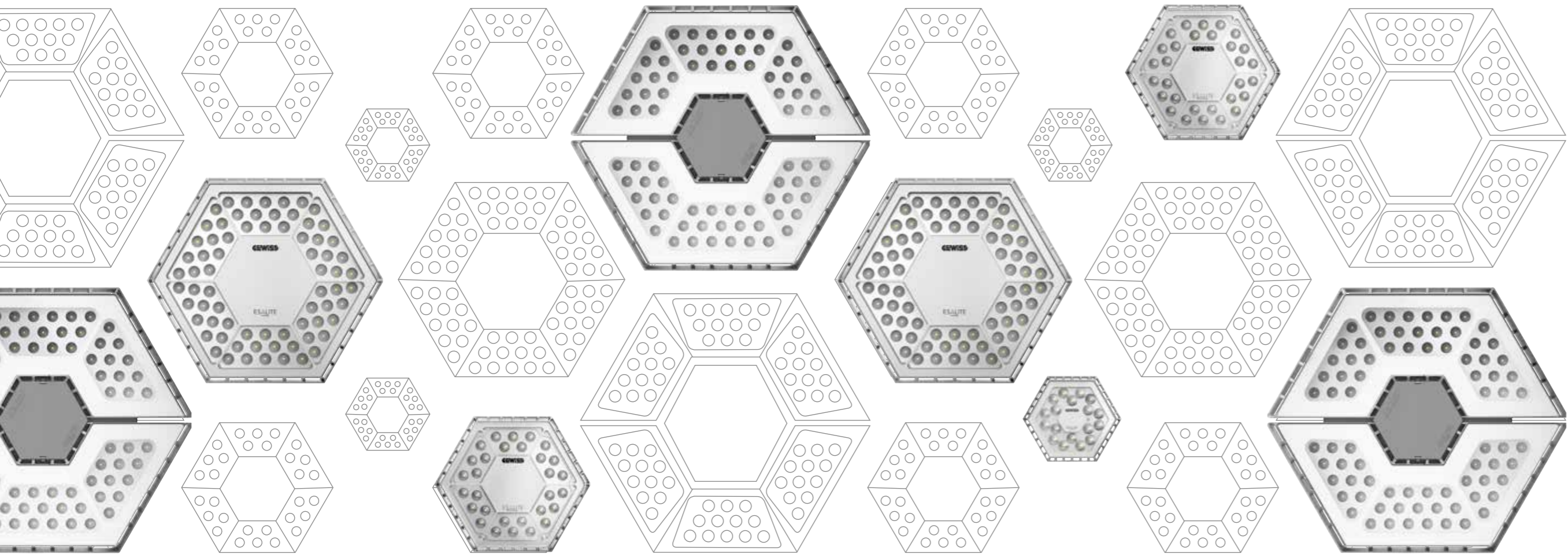


Accessory for perfect alignment



Accessory for feed-through wiring





# ESALITE

## Lighting links

GEWISS launches ESALITE - a new addition to our technical LED lighting ranges for industrial applications. Long-lasting reliability and superior performance are the fundamental features of this high bay, designed for both outdoor and indoor spaces. In addition, streamlined geometry and a multitude of uses make it ideal as either a floodlight or a pole-mounted light.

Excellent performance combined with high-quality features make ESALITE the perfect blend of technology and design, even for the most extreme environments. An idea of perfection. Something that surpasses the concept of form to provide a truly practical function. Engineering perfection and a focus on innovation - ESALITE represents the ideal light from GEWISS. A patented design, 100% made in Italy.



Over  
350 versions

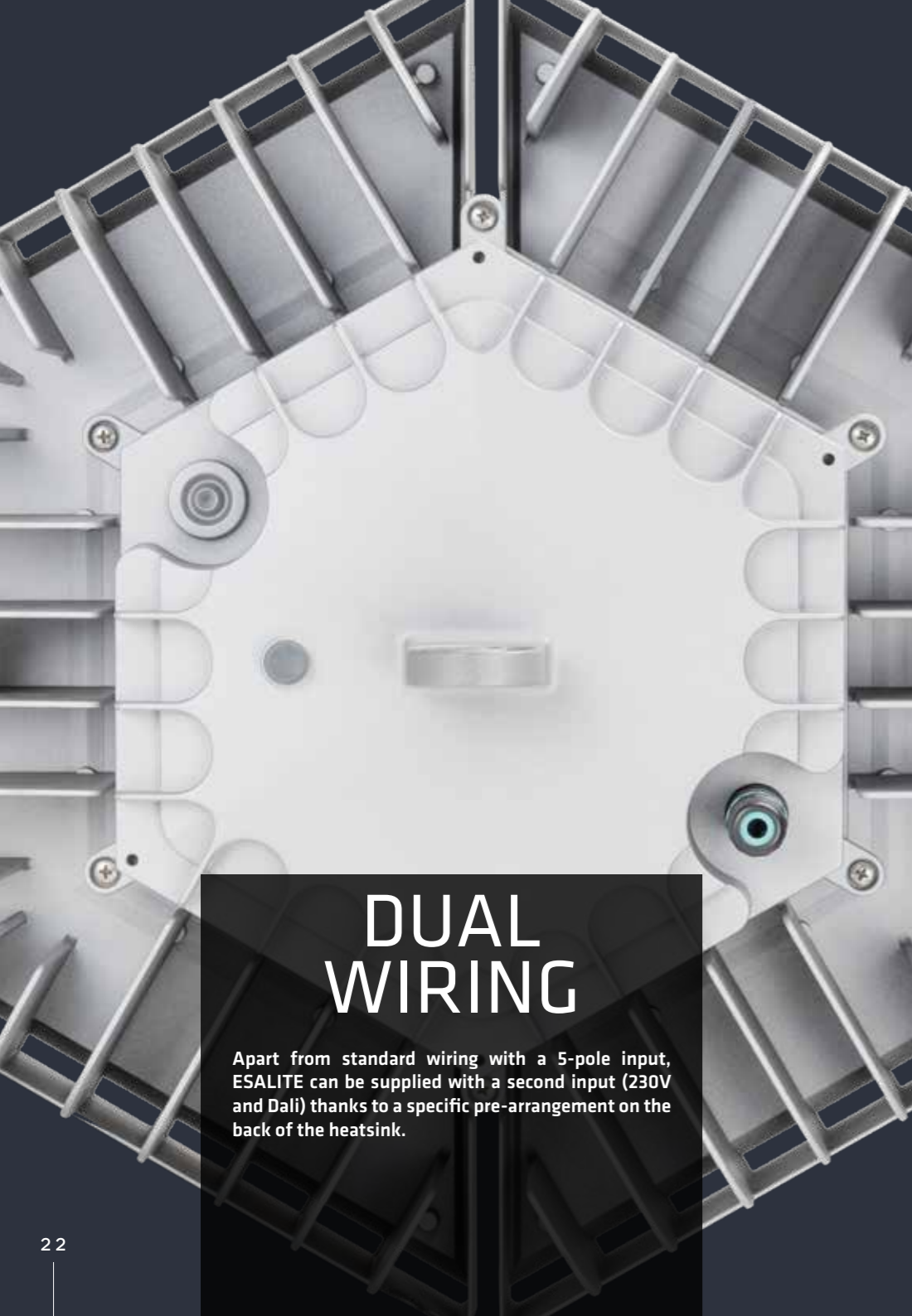
3K 6K 12K 16K 20K 24K 48K  
7 different light fluxes

30° 60° 90° ELLIPTIC  
4 optics

3000K 4000K 5700K  
3 colour temperatures

SUSPENDED WALL GROUND  
3 configurations

BLUE GREEN GREY  
2 finishes



## DUAL WIRING

Apart from standard wiring with a 5-pole input, ESALITE can be supplied with a second input (230V and Dali) thanks to a specific pre-arrangement on the back of the heatsink.



## INTEGRATED HOOK

To ensure optimum robustness, ESALITE is designed with a fixing ring integrated in the die-cast form. This guarantees exceptional fixing speeds, even in extreme environments where manageability and quick installation are fundamental.

PATENT  
GEWISS  
PATENT



## CARDAN JOINT

The real innovation of ESALITE. The cardan joint allows the device to be moved and orientated with just one touch. A single screw with a square self-locking nut orientates it on the two Cartesian axes, with a toothed closure system to ensure it's fully tightened. ESALITE is hard to remove or vandalise, and it's ideal for a variety of application needs.

The perfect balance between thought and technology



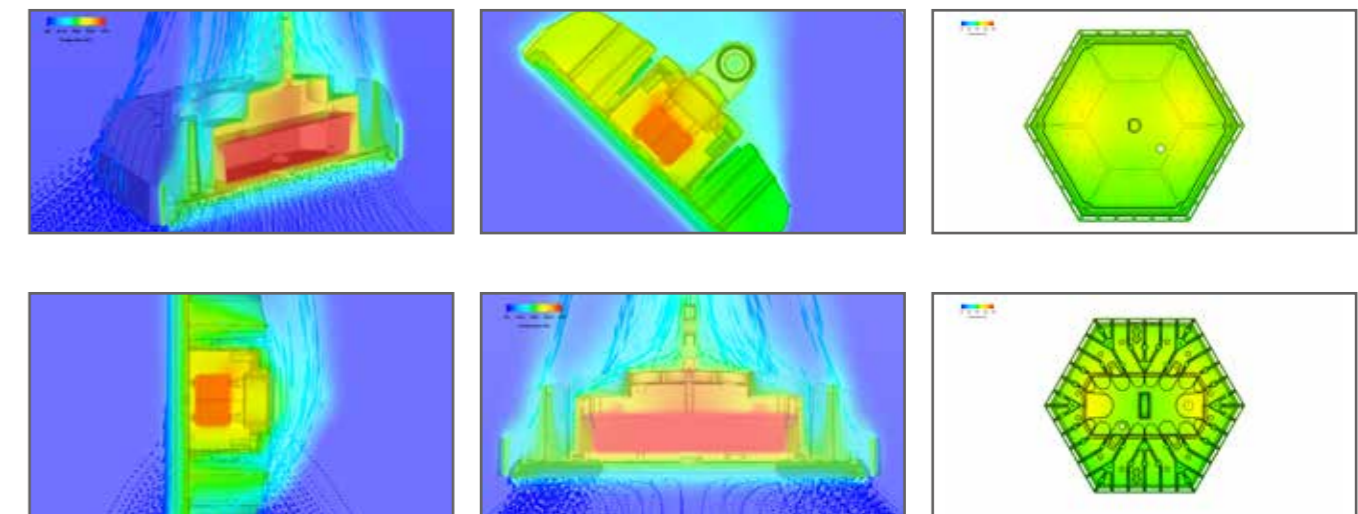
## IP66/IK08

ESALITE started out as an industrial product for retail and city lighting applications. Designed and built in accordance with the latest international regulations, it includes details in its construction to ensure it is robust and long-lasting. With an IP66 degree of protection, it is resistant to dust and humidity, while the IK08 tempered glass ensures resistance to impact and vandalism. With all these characteristics, it can be used both indoors and outdoors.

## Excellent lifespan

The thermal and mechanical design are the heart of ESALITE, and guarantee a long lifespan (more than 100,000 hours). The structure is made of die-cast aluminium and guarantees optimum performance thanks to specific thermal dimensioning tests. The correct dispersion of heat inside ESALITE, in fact, is guaranteed by the special passive heatsink with an extremely low copper content which, positioned in contact with the printed circuit, ensures the precise operation of the diodes and hence excellent qualitative and quantitative results.

Maximum lighting efficiency thanks to the correct use of every tiny air movement to promote the long life of ESALITE.



# Optimum ergonomics

A small pole holds the true innovation of ESALITE, making the fitting so easy to grip, move and install. Once the fitting has been positioned, the cardan joint lets you move and position the light with just one touch. A single hexagonal screw orientates it on the two Cartesian axes. ESALITE is hard to remove or vandalise, so it's ideal for many applications.



# Two exclusive finishes

ESALITE comes in special metallic finishes that are unique in the industrial market. The painted grey finish of the standard ESALITE fitting is highly resistant to dust; a design touch that not only finishes the product off, but also protects it against external agents, increasing the product's lifetime. Blue Green is an instantly recognisable GEWISS colour, offering additional security. With a special metallic finish exclusive to GEWISS and available for the ESALITE architectural floodlight, versions 3K - 20K, it is a unique colour that harmonises with outdoor environments, blending in perfectly in parks and gardens. It's particularly suited to pole-mounting on the ground, as the colour blends in during night-time conditions - a great feature that could reduce the risk of vandalism while making illuminated areas safe.

# Lighting engineering study

FROM 3000K TO 5700K

## UP TO 145 LUMEN/WATT

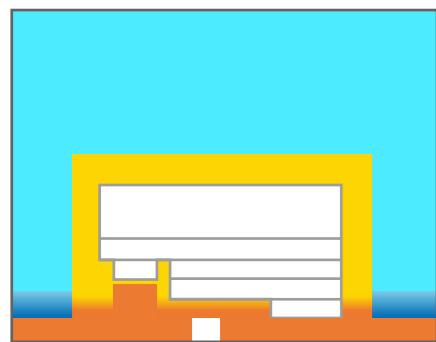
Lighting efficiency is ESALITE FOCUS-PLUS: the use of the CSP (Chip Scale Package) LED platform offers an excellent balance between high performance, consumption and lifespan. With Dali dimming or personalised driver programming, the efficiency of ESALITE can reach 145 lm/w.

## CRI > 80

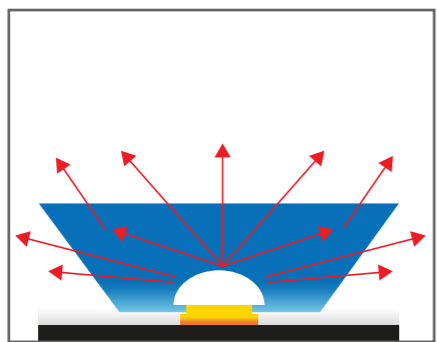
With a chromatic yield and index, you can measure how natural the colours of illuminated objects are (in terms of being close to what the eye can see). ESALITE guarantees a CRI value higher than 80, which is the optimum quality of light.

## 4 OPTICS

An in-depth lighting engineering study has led to the development of optic systems that guarantee the maximum adaptability to any application context. The result is a solution that can be technically adapted to any project to ensure top quality and innovation.



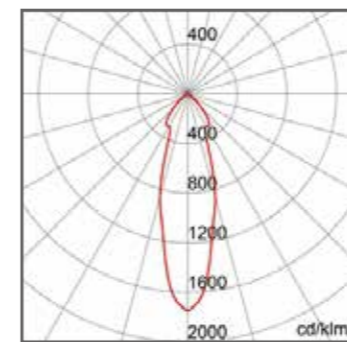
CSP LED



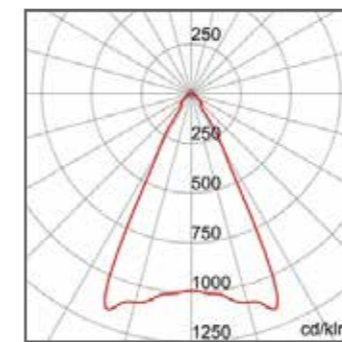
CRI 70



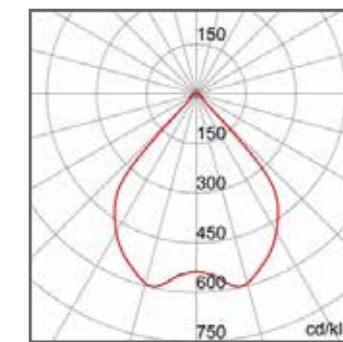
CRI 80



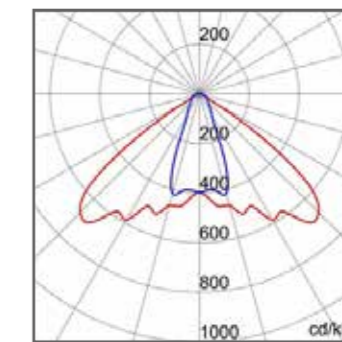
30° optic



60° optic



90° optic



Elliptical optic



# ESALITE - a long life

An all-Italian product designed with both the head and the heart. A pioneering development born within a company that has always pursued the highest quality standards.

ESALITE is designed to be almost indestructible, with a very long lifespan. A product that is sustainable and can fully optimise the efficiency of existing systems. It is an example of far-sighted innovation, a step ahead of regulations or limitations, due to GEWISS's commitment to continual improvement.



All GEWISS products and packaging bear the EC mark as proof of their compliance with the directives of the European Community: LVD 2014/35/EU - EMC 2014/30/EU - ERP 2009/125/EC











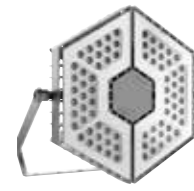
GEWISS products undergo checks for ENEC (European Norms Electrical Certification) - a European mark for the certification of lighting products and the relative accessories



GEWISS' lighting devices are submitted to tests for ENEC brand (European Norms Electrical Certification), European brand for certification of lighting products and related accessories.



# Range

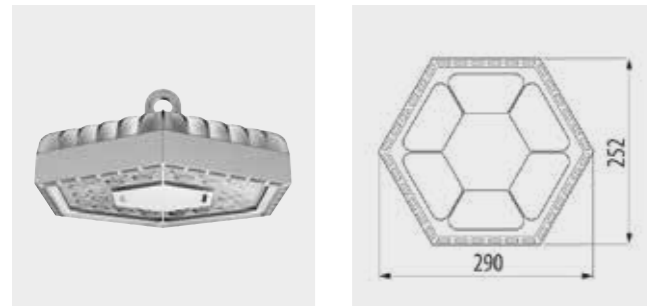
	 3K	 6K	 12K	 16K	 20K	 24K	 48K
 Suspension high bay		✓	✓	✓	✓	✓	✓
 BlueGreen architectural floodlight	✓	✓	✓	✓	✓		
 Architectural floodlight	✓	✓	✓	✓	✓		
 Floodlight with bracket			✓	✓	✓	✓	

# Technical data

	 3K	 6K	 12K	 16K	 20K	 24K	 48K
<b>Size</b>	17 x 22cm	25 x 29cm	37 x 43cm	37 x 43cm	37 x 43cm	47 x 53cm	54 x 98cm
<b>Insulation class</b>	CL1						
<b>Degree of protection</b>	IP55 (lens) or IP66 (glass)						
<b>Impact resistance</b>	IK06 (lens) or IK08 (glass)						
<b>Optics</b>	30° - 60° - 90° - ELLIPTICAL						
<b>System power</b>	35W	51W	109W	142W	145W	210W	412W
<b>Lumen output</b>	Up to 3Klm	Up to 6.7Klm	Up to 13.9Klm	Up to 16Klm	Up to 19.5Klm	Up to 25.4Klm	Up to 49.6Klm
<b>Efficiency</b>	Up to 120lm/W	Up to 132lm/W	Up to 135lm/W	Up to 140lm/W	Up to 130lm/W	Up to 121lm/W	Up to 121lm/W
<b>Colour temperature</b>	3000K - 4000K - 5700K						
<b>CRI</b>	80						
<b>Operating temperature</b>	-25°C to +50°C						
<b>Supply voltage</b>	220-240V 50/60Hz - DALI						
<b>LED</b>	CSP						
<b>LIFESPAN</b>	L80B10 > 100,000h						
<b>Overvoltage protection</b>	3kV						>6kV

The technical characteristics may undergo variations linked to technological evolution.

**ESALITE HB - 6K**



**SUSPENSION VERSION - CLASS I - DALI DRIVER**

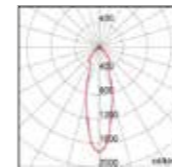
Code	Optic	Number of modules	Colour temperature	System power	Pack Carton
<b>Version with lens - Silver colour - IP55 - IK 06</b>					
GW S6 012 GD	30°	1x30 LED	4000 K (CRI 80)	51W	1
GW S6 013 GD	60°	1x30 LED	4000 K (CRI 80)	51W	1
GW S6 014 GD	90°	1x30 LED	4000 K (CRI 80)	51W	1
GW S6 015 GD	Elliptical	1x30 LED	4000 K (CRI 80)	51W	1
<b>Version with glass - Silver colour - IP66 - IK 08</b>					
GW S6 312 GD	30°	1x30 LED	4000 K (CRI 80)	51W	1
GW S6 313 GD	60°	1x30 LED	4000 K (CRI 80)	51W	1
GW S6 314 GD	90°	1x30 LED	4000 K (CRI 80)	51W	1
GW S6 315 GD	Elliptical	1x30 LED	4000 K (CRI 80)	51W	1

NOTES: supply voltage 220-240V 50/60 Hz.

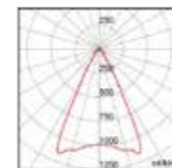
The technical data may undergo variations due to the continuous evolution of LED technology.

The nominal flux refers to Tj=85°C.

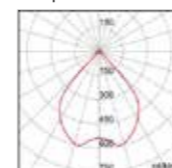
Photometric distributions



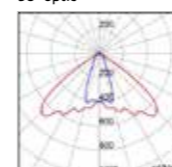
30° optic



60° optic

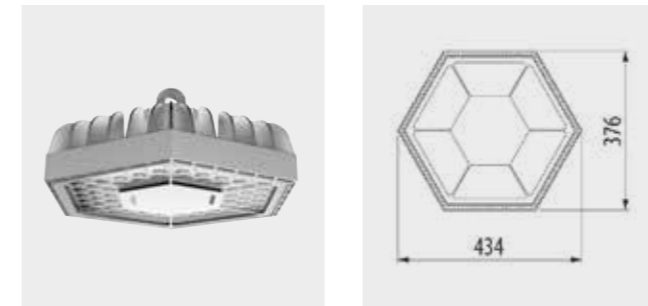


90° optic



Elliptical optic

**ESALITE HB - 16K**



**SUSPENSION VERSION - CLASS I - DALI DRIVER**

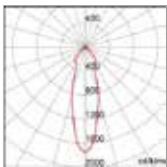
Code	Optic	Number of modules	Colour temperature	System power	Pack Carton
<b>Version with lens - Silver colour - IP55 - IK 06</b>					
GW S6 032 GD	30°	1x54 LED	4000 K (CRI 80)	142W	1
GW S6 033 GD	60°	1x54 LED	4000 K (CRI 80)	142W	1
GW S6 034 GD	90°	1x54 LED	4000 K (CRI 80)	142W	1
GW S6 035 GD	Elliptical	1x54 LED	4000 K (CRI 80)	142W	1
<b>Version with glass - Silver colour - IP66 - IK 08</b>					
GW S6 332 GD	30°	1x54 LED	4000 K (CRI 80)	142W	1
GW S6 333 GD	60°	1x54 LED	4000 K (CRI 80)	142W	1
GW S6 334 GD	90°	1x54 LED	4000 K (CRI 80)	142W	1
GW S6 335 GD	Elliptical	1x54 LED	4000 K (CRI 80)	142W	1

NOTES: supply voltage 220-240V 50/60 Hz.

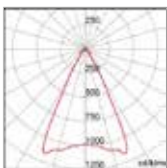
The technical data may undergo variations due to the continuous evolution of LED technology.

The nominal flux refers to Tj=85°C.

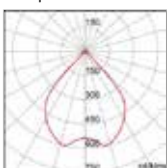
Photometric distributions



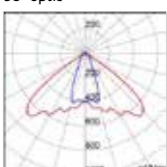
30° optic



60° optic

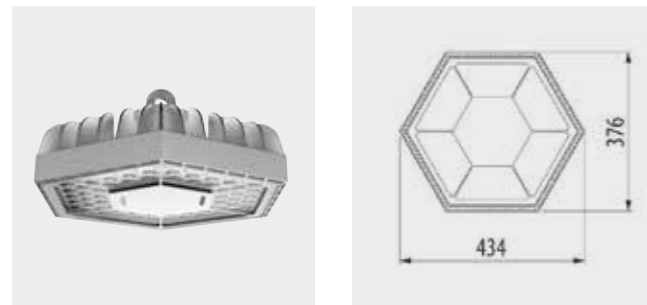


90° optic



Elliptical optic

**ESALITE HB - 12K**



**SUSPENSION VERSION - CLASS I - DALI DRIVER**

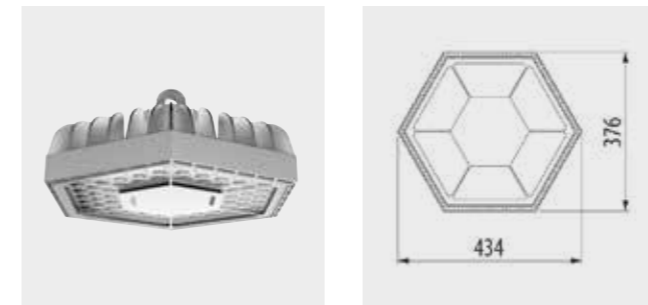
Code	Optic	Number of modules	Colour temperature	System power	Pack Carton
<b>Version with lens - Silver colour - IP55 - IK 06</b>					
GW S6 022 GD	30°	1x54 LED	4000 K (CRI 80)	109W	1
GW S6 023 GD	60°	1x54 LED	4000 K (CRI 80)	109W	1
GW S6 024 GD	90°	1x54 LED	4000 K (CRI 80)	109W	1
GW S6 025 GD	Elliptical	1x54 LED	4000 K (CRI 80)	109W	1
<b>Version with glass - Silver colour - IP66 - IK 08</b>					
GW S6 322 GD	30°	1x54 LED	4000 K (CRI 80)	109W	1
GW S6 323 GD	60°	1x54 LED	4000 K (CRI 80)	109W	1
GW S6 324 GD	90°	1x54 LED	4000 K (CRI 80)	109W	1
GW S6 325 GD	Elliptical	1x54 LED	4000 K (CRI 80)	109W	1

NOTES: supply voltage 220-240V 50/60 Hz.

The technical data may undergo variations due to the continuous evolution of LED technology.

The nominal flux refers to Tj=85°C.

**ESALITE HB - 20K**



**SUSPENSION VERSION - CLASS I - DALI DRIVER**

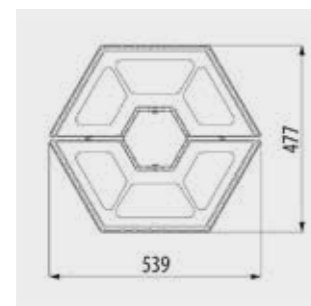
Code	Optic	Number of modules	Colour temperature	System power	Pack Carton
<b>Version with lens - Silver colour - IP55 - IK 06</b>					
GW S6 042 GD	30°	1x72 LED	4000 K (CRI 80)	145W	1
GW S6 043 GD	60°	1x72 LED	4000 K (CRI 80)	145W	1
GW S6 044 GD	90°	1x72 LED	4000 K (CRI 80)	145W	1
GW S6 045 GD	Elliptical	1x72 LED	4000 K (CRI 80)	145W	1
<b>Version with glass - Silver colour - IP66 - IK 08</b>					
GW S6 342 GD	30°	1x72 LED	4000 K (CRI 80)	145W	1
GW S6 343 GD	60°	1x72 LED	4000 K (CRI 80)	145W	1
GW S6 344 GD	90°	1x72 LED	4000 K (CRI 80)	145W	1
GW S6 345 GD	Elliptical	1x72 LED	4000 K (CRI 80)	145W	1

NOTES: supply voltage 220-240V 50/60 Hz.

The technical data may undergo variations due to the continuous evolution of LED technology.

The nominal flux refers to Tj=85°C.

ESALITE HB - 24K



SUSPENSION VERSION - CLASS I - DALI DRIVER

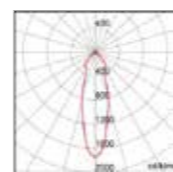
Code	Optic	Number of modules	Colour temperature	System power	Pack Carton
<b>Version with lens - Silver colour - IP55 - IK 06</b>					
GW S6 052 GD	30°	2x40 LED	4000 K (CRI 80)	210W	1
GW S6 053 GD	60°	2x40 LED	4000 K (CRI 80)	210W	1
GW S6 054 GD	90°	2x40 LED	4000 K (CRI 80)	210W	1
GW S6 055 GD	Elliptical	2x40 LED	4000 K (CRI 80)	210W	1
<b>Version with glass - IP66 - IK 08</b>					
GW S6 352 GD	30°	2x40 LED	4000 K (CRI 80)	210W	1
GW S6 353 GD	60°	2x40 LED	4000 K (CRI 80)	210W	1
GW S6 354 GD	90°	2x40 LED	4000 K (CRI 80)	210W	1
GW S6 355 GD	Elliptical	2x40 LED	4000 K (CRI 80)	210W	1

NOTES: supply voltage 220-240V 50/60 Hz.

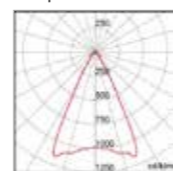
The technical data may undergo variations due to the continuous evolution of LED technology.

The nominal flux refers to Tj=85°C.

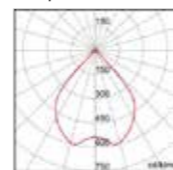
Photometric distributions



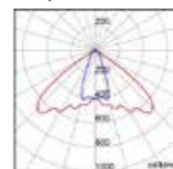
30° optic



60° optic

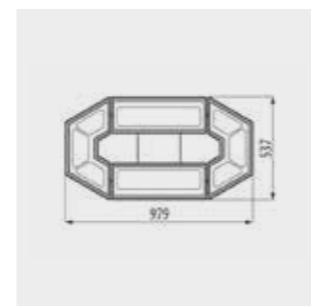
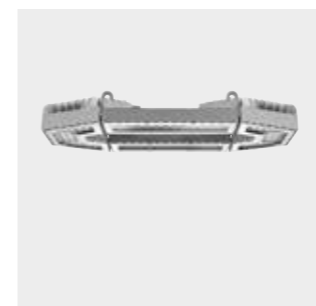


90° optic



Elliptical optic

ESALITE HB - 48K



SUSPENSION VERSION - CLASS I - DALI DRIVER

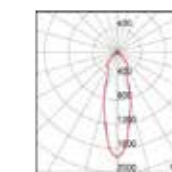
Code	Optic	Number of modules	Colour temperature	System power	Pack Carton
<b>Version with lens - Silver colour - IP55 - IK 06</b>					
GW S6 082 GD	30°	156 LED	4000 K (CRI 80)	412W	1
GW S6 083 GD	60°	156 LED	4000 K (CRI 80)	412W	1
GW S6 084 GD	90°	156 LED	4000 K (CRI 80)	412W	1
GW S6 085 GD	Elliptical	156 LED	4000 K (CRI 80)	412W	1
<b>Version with glass - Silver colour - IP66 - IK 08</b>					
GW S6 382 GD	30°	156 LED	4000 K (CRI 80)	412W	1
GW S6 383 GD	60°	156 LED	4000 K (CRI 80)	412W	1
GW S6 384 GD	90°	156 LED	4000 K (CRI 80)	412W	1
GW S6 385 GD	Elliptical	156 LED	4000 K (CRI 80)	412W	1

NOTES: supply voltage 220-240V 50/60 Hz.

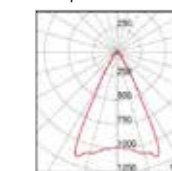
The technical data may undergo variations due to the continuous evolution of LED technology.

The nominal flux refers to Tj=85°C.

Photometric distributions



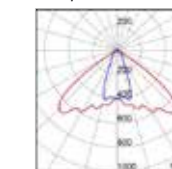
30° optic



60° optic

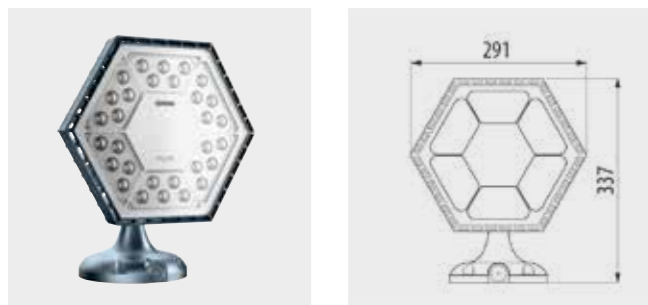


90° optic



Elliptical optic

ESALITE PL - 6K

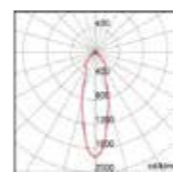


ARCHITECTURAL VERSIONS - IP66 - CLASS I - DALI DRIVER

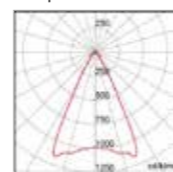
Code	Optic	Number of modules	Colour temperature	System power	Pack Carton
<b>Version with glass - BlueGreen colour</b>					
GW S6 512 BD 30K 30°	30°	1x30 LED	3000 K (CRI 80)	51W	1
GW S6 513 BD 30K 60°	60°	1x30 LED	3000 K (CRI 80)	51W	1
GW S6 514 BD 30K 90°	90°	1x30 LED	3000 K (CRI 80)	51W	1
GW S6 515 BD 30K Elliptical	Elliptical	1x30 LED	3000 K (CRI 80)	51W	1

NOTES: supply voltage 220-240V 50/60 Hz.  
The technical data may undergo variations due to the continuous evolution of LED technology.  
The nominal flux refers to Tj=85°C.

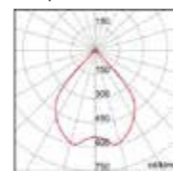
Photometric distributions



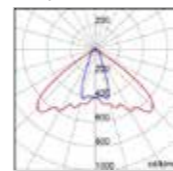
30° optic



60° optic

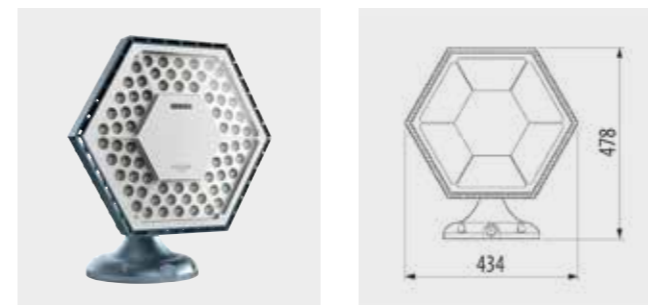


90° optic



Elliptical optic

ESALITE PL - 12K

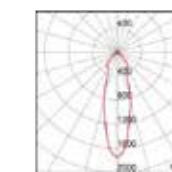


ARCHITECTURAL VERSIONS - IP66 - CLASS I - DALI DRIVER

Code	Optic	Number of modules	Colour temperature	System power	Pack Carton
<b>Version with glass - BlueGreen colour</b>					
GW S6 522 BD 30K 30°	30°	1x54 LED	3000 K (CRI 80)	109W	1
GW S6 523 BD 30K 60°	60°	1x54 LED	3000 K (CRI 80)	109W	1
GW S6 524 BD 30K 90°	90°	1x54 LED	3000 K (CRI 80)	109W	1
GW S6 525 BD 30K Elliptical	Elliptical	1x54 LED	3000 K (CRI 80)	109W	1

NOTES: supply voltage 220-240V 50/60 Hz.  
The technical data may undergo variations due to the continuous evolution of LED technology.  
The nominal flux refers to Tj=85°C.

Photometric distributions



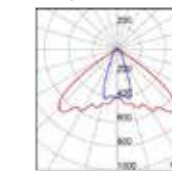
30° optic



60° optic

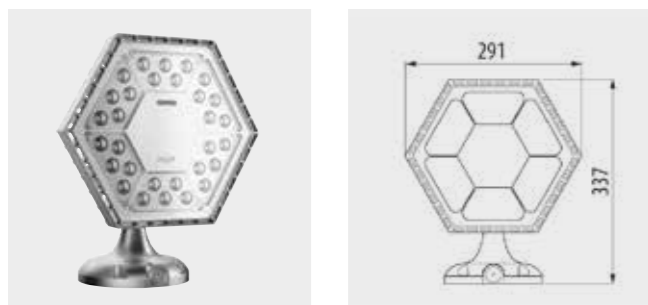


90° optic



Elliptical optic

ESALITE PL - 6K

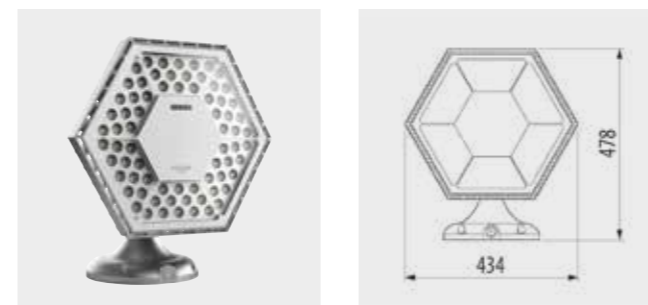


ARCHITECTURAL VERSIONS - IP66 - CLASS I - DALI DRIVER

Code	Optic	Number of modules	Colour temperature	System power	Pack Carton
<b>Version with glass - Silver colour</b>					
GW S6 512 GD 30°	30°	1x30 LED	4000 K (CRI 80)	51W	1
GW S6 513 GD 60°	60°	1x30 LED	4000 K (CRI 80)	51W	1
GW S6 514 GD 90°	90°	1x30 LED	4000 K (CRI 80)	51W	1
GW S6 515 GD Elliptical	Elliptical	1x30 LED	4000 K (CRI 80)	51W	1

NOTES: supply voltage 220-240V 50/60 Hz.  
The technical data may undergo variations due to the continuous evolution of LED technology.  
The nominal flux refers to Tj=85°C.

ESALITE PL - 12K

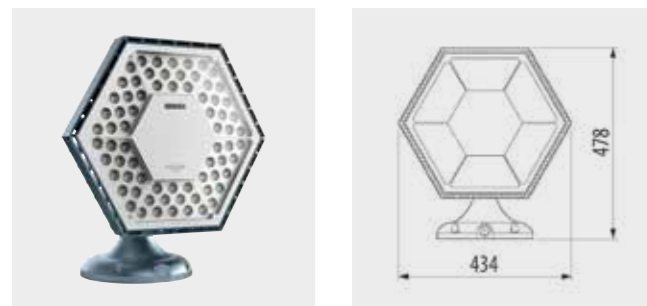


ARCHITECTURAL VERSIONS - IP66 - CLASS I - DALI DRIVER

Code	Optic	Number of modules	Colour temperature	System power	Pack Carton
<b>Version with glass - Silver colour</b>					
GW S6 522 GD 30°	30°	1x54 LED	4000 K (CRI 80)	109W	1
GW S6 523 GD 60°	60°	1x54 LED	4000 K (CRI 80)	109W	1
GW S6 524 GD 90°	90°	1x54 LED	4000 K (CRI 80)	109W	1
GW S6 525 GD Elliptical	Elliptical	1x54 LED	4000 K (CRI 80)	109W	1

NOTES: supply voltage 220-240V 50/60 Hz.  
The technical data may undergo variations due to the continuous evolution of LED technology.  
The nominal flux refers to Tj=85°C.

**ESALITE PL - 16K**



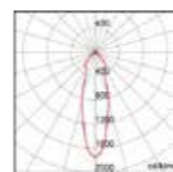
**ARCHITECTURAL VERSIONS - IP66 - CLASS I - DALI DRIVER**

Code	Optic	Number of modules	Colour temperature	System power	Pack Carton
<b>Version with glass - BlueGreen colour</b>					
GW S6 532 BD 30K 30°	30°	1x54 LED	3000 K (CRI 80)	142W	1
GW S6 533 BD 30K 60°	60°	1x54 LED	3000 K (CRI 80)	142W	1
GW S6 534 BD 30K 90°	90°	1x54 LED	3000 K (CRI 80)	142W	1
GW S6 535 BD 30K Elliptical	Elliptical	1x54 LED	3000 K (CRI 80)	142W	1

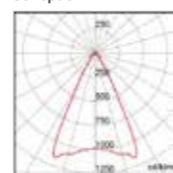
NOTES: supply voltage 220-240V 50/60 Hz.

The technical data may undergo variations due to the continuous evolution of LED technology. The nominal flux refers to Tj=85°C.

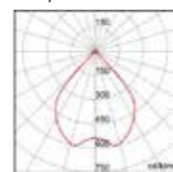
Photometric distributions



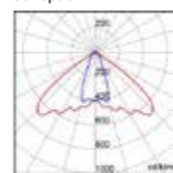
30° optic



60° optic

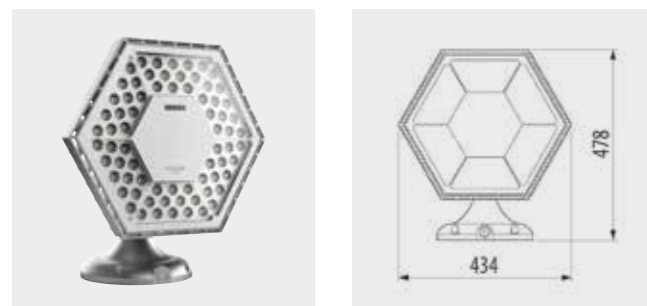
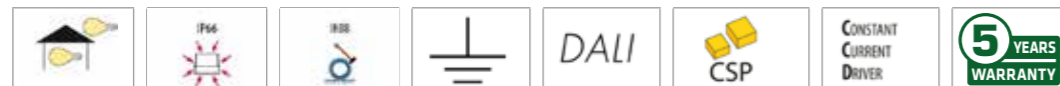


90° optic



Elliptical optic

**ESALITE PL - 16K**



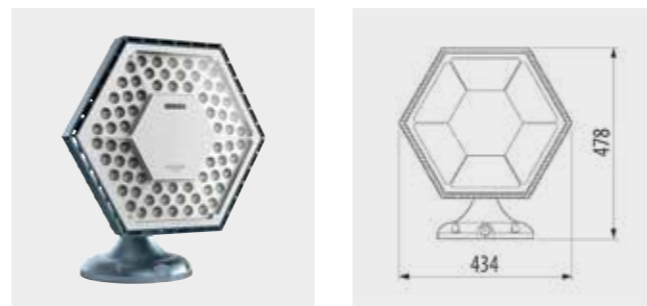
**ARCHITECTURAL VERSIONS - IP66 - CLASS I - DALI DRIVER**

Code	Optic	Number of modules	Colour temperature	System power	Pack Carton
<b>Version with glass - Silver colour</b>					
GW S6 532 GD 30°	30°	1x54 LED	4000 K (CRI 80)	142W	1
GW S6 533 GD 60°	60°	1x54 LED	4000 K (CRI 80)	142W	1
GW S6 534 GD 90°	90°	1x54 LED	4000 K (CRI 80)	142W	1
GW S6 535 GD Elliptical	Elliptical	1x54 LED	4000 K (CRI 80)	142W	1

NOTES: supply voltage 220-240V 50/60 Hz.

The technical data may undergo variations due to the continuous evolution of LED technology. The nominal flux refers to Tj=85°C.

**ESALITE PL - 20K**



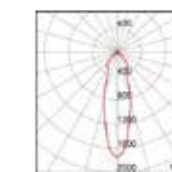
**ARCHITECTURAL VERSIONS - IP66 - CLASS I - DALI DRIVER**

Code	Optic	Number of modules	Colour temperature	System power	Pack Carton
<b>Version with glass - BlueGreen colour</b>					
GW S6 542 BD 30K 30°	30°	1x72 LED	3000 K (CRI 80)	145W	1
GW S6 543 BD 30K 60°	60°	1x72 LED	3000 K (CRI 80)	145W	1
GW S6 544 BD 30K 90°	90°	1x72 LED	3000 K (CRI 80)	145W	1
GW S6 545 BD 30K Elliptical	Elliptical	1x72 LED	3000 K (CRI 80)	145W	1

NOTES: supply voltage 220-240V 50/60 Hz.

The technical data may undergo variations due to the continuous evolution of LED technology. The nominal flux refers to Tj=85°C.

Photometric distributions



30° optic



60° optic

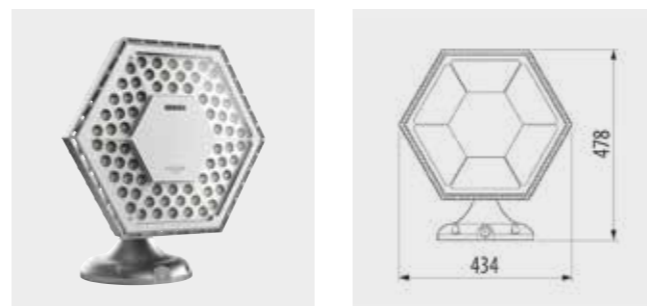
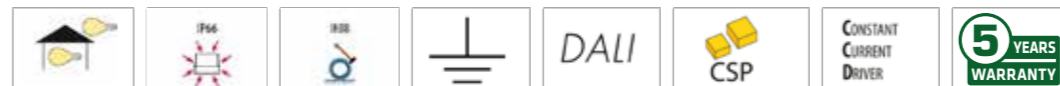


90° optic



Elliptical optic

**ESALITE PL - 20K**



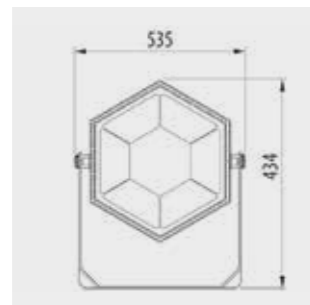
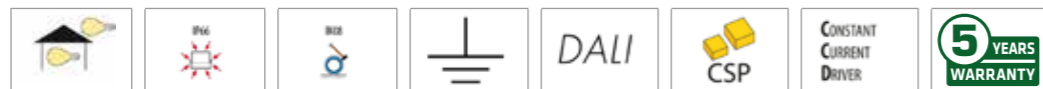
**ARCHITECTURAL VERSIONS - IP66 - CLASS I - DALI DRIVER**

Code	Optic	Number of modules	Colour temperature	System power	Pack Carton
<b>Version with glass - Silver colour</b>					
GW S6 542 GD 30°	30°	1x72 LED	4000 K (CRI 80)	145W	1
GW S6 543 GD 60°	60°	1x72 LED	4000 K (CRI 80)	145W	1
GW S6 544 GD 90°	90°	1x72 LED	4000 K (CRI 80)	145W	1
GW S6 545 GD Elliptical	Elliptical	1x72 LED	4000 K (CRI 80)	145W	1

NOTES: supply voltage 220-240V 50/60 Hz.

The technical data may undergo variations due to the continuous evolution of LED technology. The nominal flux refers to Tj=85°C.

**ESALITE FL - 12K**

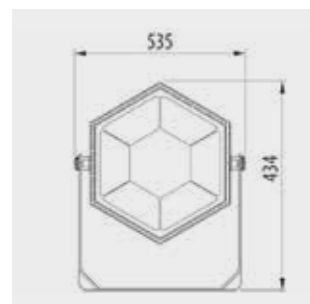
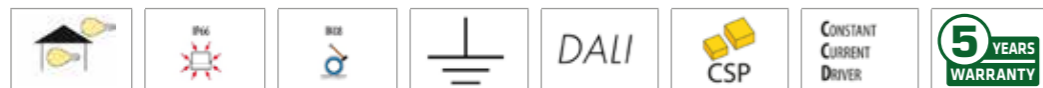


**FLOODLIGHT VERSIONS - IP66 - CLASS I - DALI DRIVER**

Code	Optic	Number of modules	Colour temperature	System power	Pack Carton
<b>Version with glass - Silver colour</b>					
GW S6 422 GD	30°	1x54 LED	4000 K (CRI 80)	109W	1
GW S6 423 GD	60°	1x54 LED	4000 K (CRI 80)	109W	1
GW S6 424 GD	90°	1x54 LED	4000 K (CRI 80)	109W	1
GW S6 425 GD	Elliptical	1x54 LED	4000 K (CRI 80)	109W	1

**NOTES:** supply voltage 220-240V 50/60 Hz.  
The technical data may undergo variations due to the continuous evolution of LED technology.  
The nominal flux refers to Tj=85°C.

**ESALITE FL - 16K**

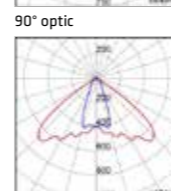
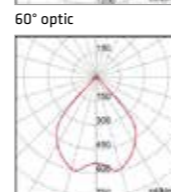
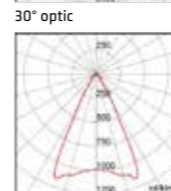
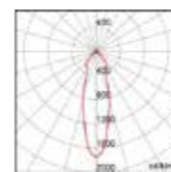


**FLOODLIGHT VERSIONS - IP66 - CLASS I - DALI DRIVER**

Code	Optic	Number of modules	Colour temperature	System power	Pack Carton
<b>Version with glass - Silver colour</b>					
GW S6 432 GD	30°	1x54 LED	4000 K (CRI 80)	142W	1
GW S6 433 GD	60°	1x54 LED	4000 K (CRI 80)	142W	1
GW S6 434 GD	90°	1x54 LED	4000 K (CRI 80)	142W	1
GW S6 435 GD	Elliptical	1x54 LED	4000 K (CRI 80)	142W	1

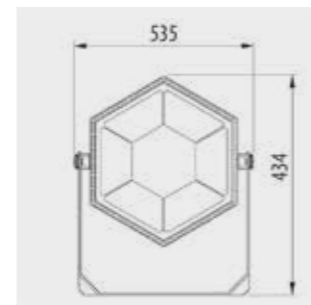
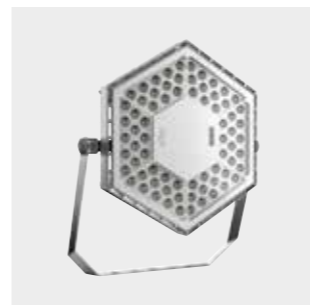
**NOTES:** supply voltage 220-240V 50/60 Hz.  
The technical data may undergo variations due to the continuous evolution of LED technology.  
The nominal flux refers to Tj=85°C.

**Photometric distributions**



Elliptical optic

**ESALITE FL - 20K**

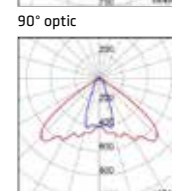
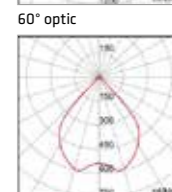
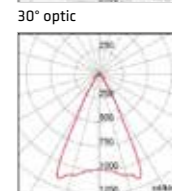
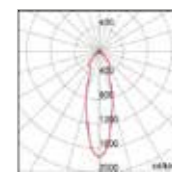


**FLOODLIGHT VERSIONS - IP66 - CLASS I - DALI DRIVER**

Code	Optic	Number of modules	Colour temperature	System power	Pack Carton
<b>Version with glass - Silver colour</b>					
GW S6 442 GD	30°	1x72 LED	4000 K (CRI 80)	145W	1
GW S6 443 GD	60°	1x72 LED	4000 K (CRI 80)	145W	1
GW S6 444 GD	90°	1x72 LED	4000 K (CRI 80)	145W	1
GW S6 445 GD	Elliptical	1x72 LED	4000 K (CRI 80)	145W	1

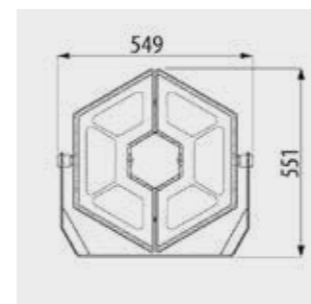
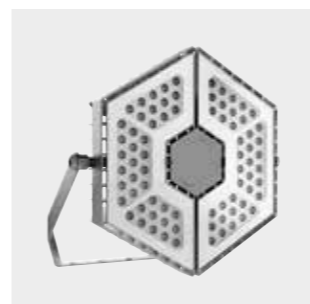
**NOTES:** supply voltage 220-240V 50/60 Hz.  
The technical data may undergo variations due to the continuous evolution of LED technology.  
The nominal flux refers to Tj=85°C.

**Photometric distributions**



Elliptical optic

**ESALITE FL - 24K**



**FLOODLIGHT VERSIONS - IP66 - CLASS I - DALI DRIVER**

Code	Optic	Number of modules	Colour temperature	System power	Pack Carton
<b>Version with glass - Silver colour</b>					
GW S6 452 GD	30°	2x40 LED	4000 K (CRI 80)	210W	1
GW S6 453 GD	60°	2x40 LED	4000 K (CRI 80)	210W	1
GW S6 454 GD	90°	2x40 LED	4000 K (CRI 80)	210W	1
GW S6 455 GD	Elliptical	2x40 LED	4000 K (CRI 80)	210W	1

**NOTES:** supply voltage 220-240V 50/60 Hz.  
The technical data may undergo variations due to the continuous evolution of LED technology.  
The nominal flux refers to Tj=85°C.

# Installation



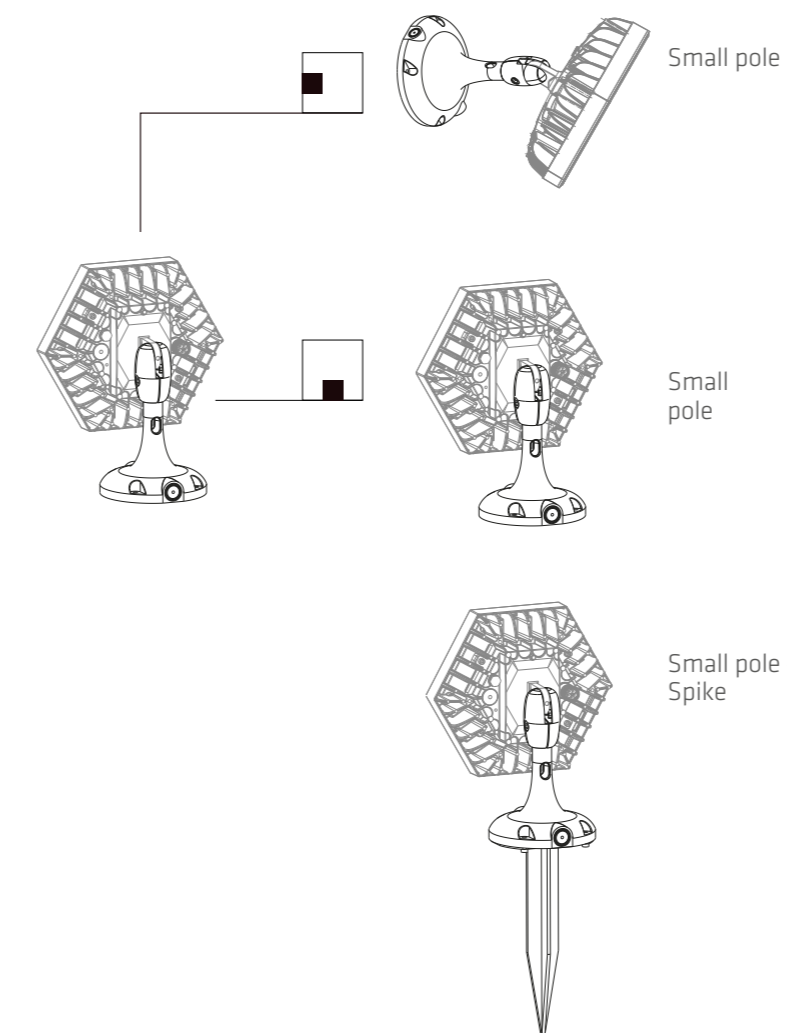
## COMPLEMENTARY ITEMS - HB

Code	Description	Pack Carton
<b>Fixing kit</b>		
GW 56 921	Suspension kit for ESALITE 6K	1
GW 56 922	Genovese chain coil for ESALITE	1
GW 56 923	Box of S-shaped metal suspension hooks	1
GW 56 924	Bracket for ESALITE 12K, 16K and 20K	1
GW 56 925	Bracket for ESALITE 24K	1
<b>Sensors</b>		
GW 56 901	Sensor PIR ESALITE 12K, 16K and 20K	1
GW 56 902	Sensor PIR ESALITE 24K	1
GW 56 910	Remote control for programming the PIR sensor	1
<b>Emergency codes</b>		
GW 56 911	Emergency kit 3h ESALITE 12K, 16K and 20K	1
GW 56 912	Emergency kit 3h ESALITE 24K	1

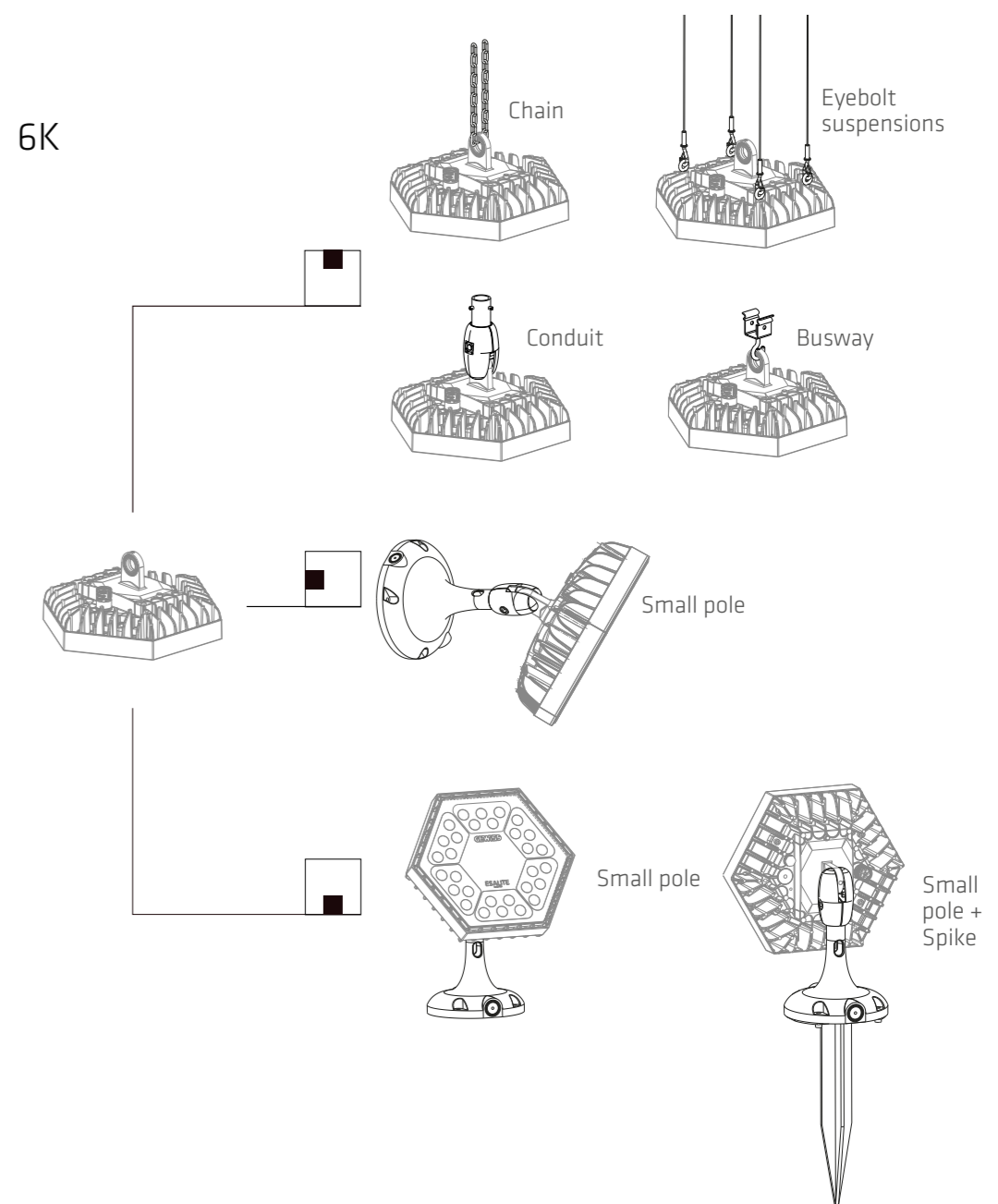
## INSTALLATION ITEMS - PL

Code	Description	Pack Carton
GW 56 930	ESALITE 3K – ground spike	1
GW 56 931	ESALITE 6K – ground spike	1
GW 56 932	ESALITE 12K, 16K and 20K – ground spike	1

3K

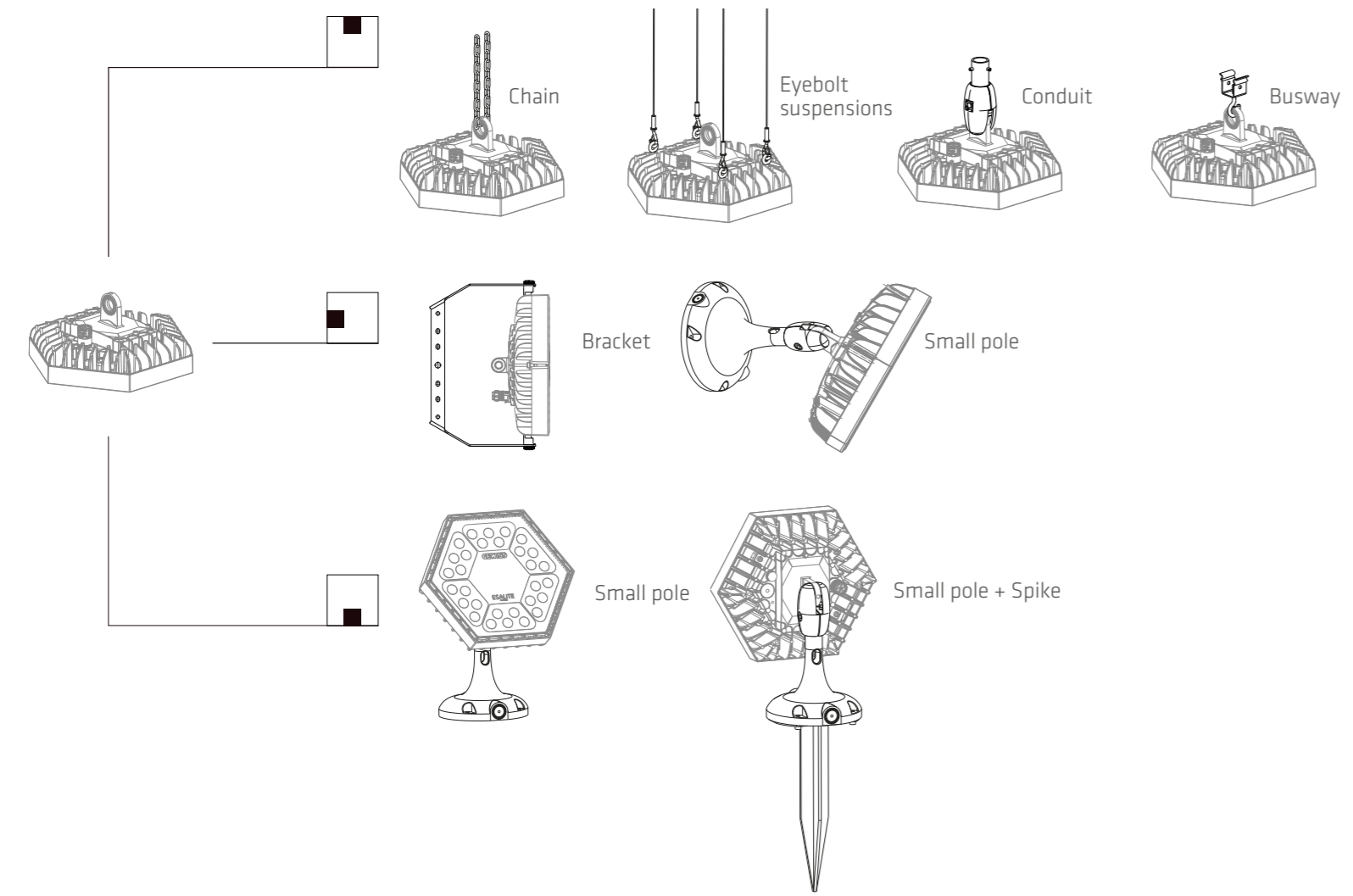


6K

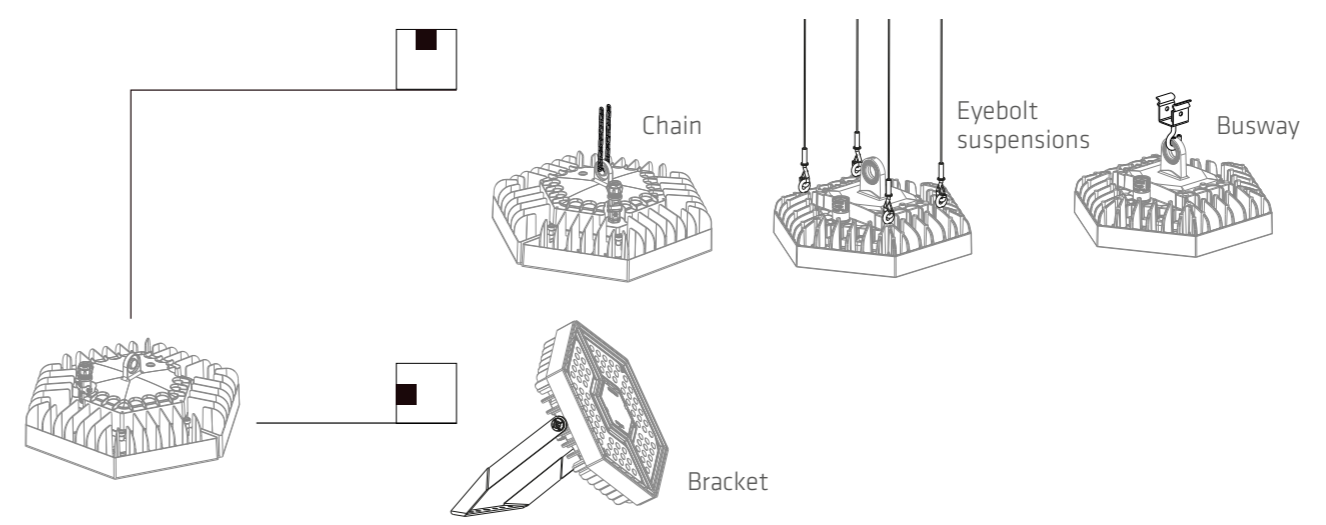


# Installation

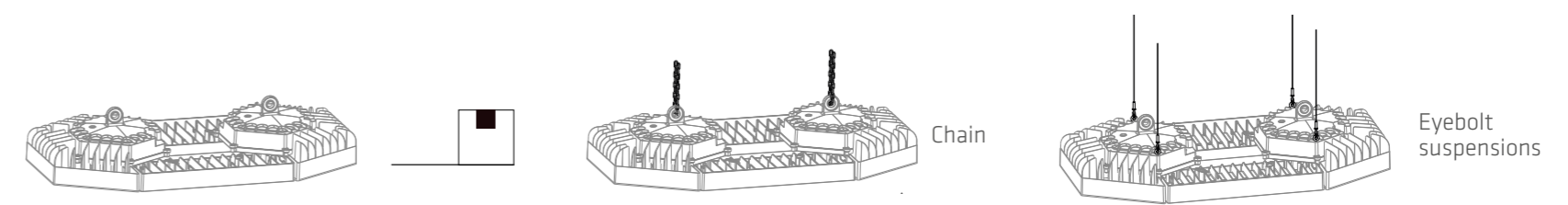
12K 16K 20K



24K



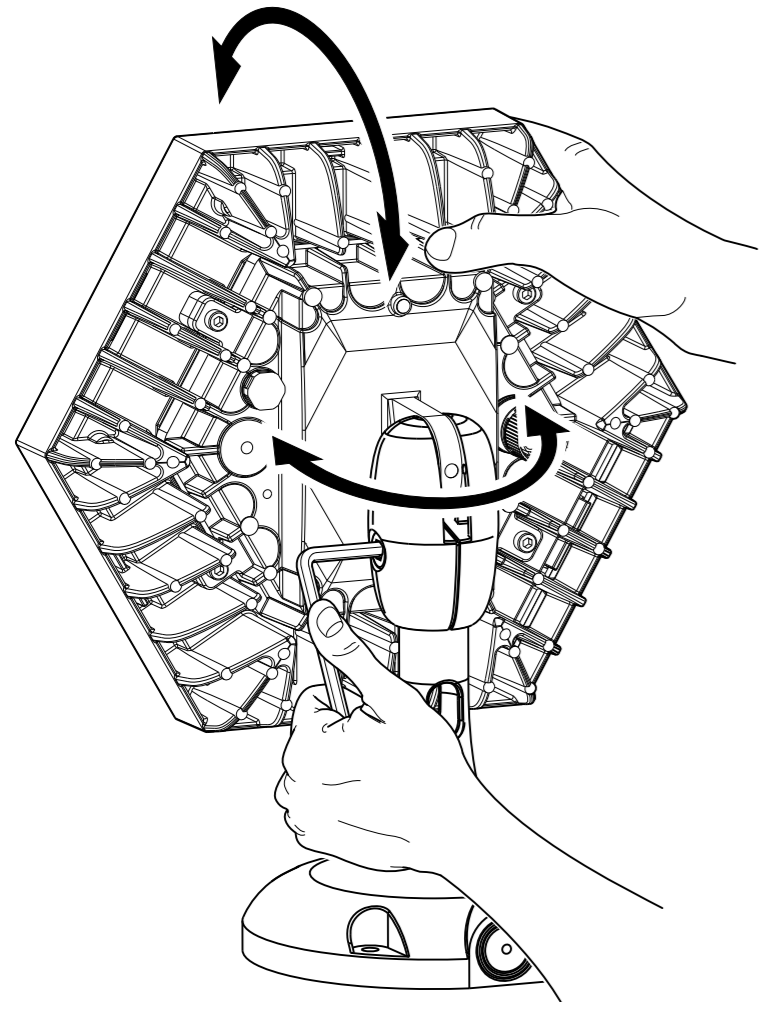
48K



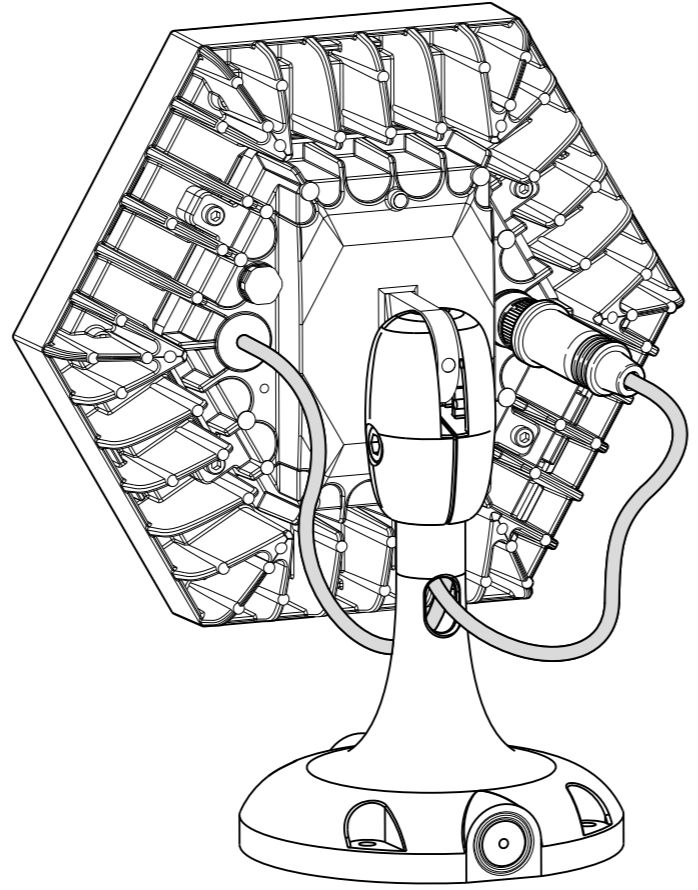


# Easy installation

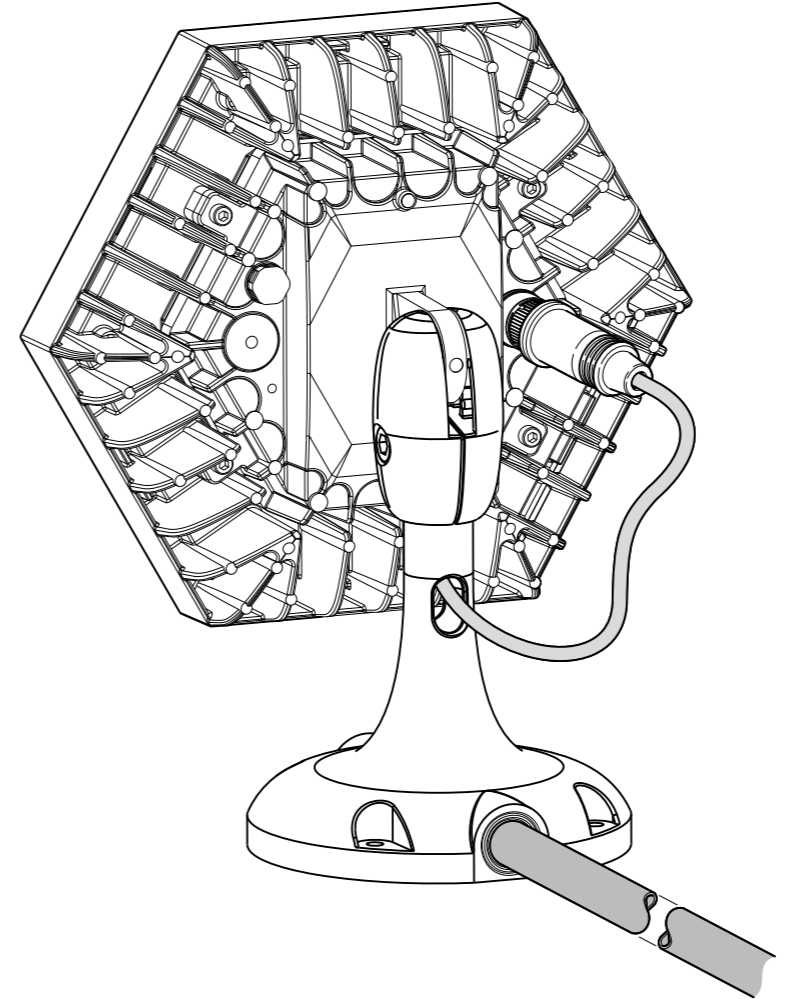
Quick installation thanks to the cardan joint with a single locking screw



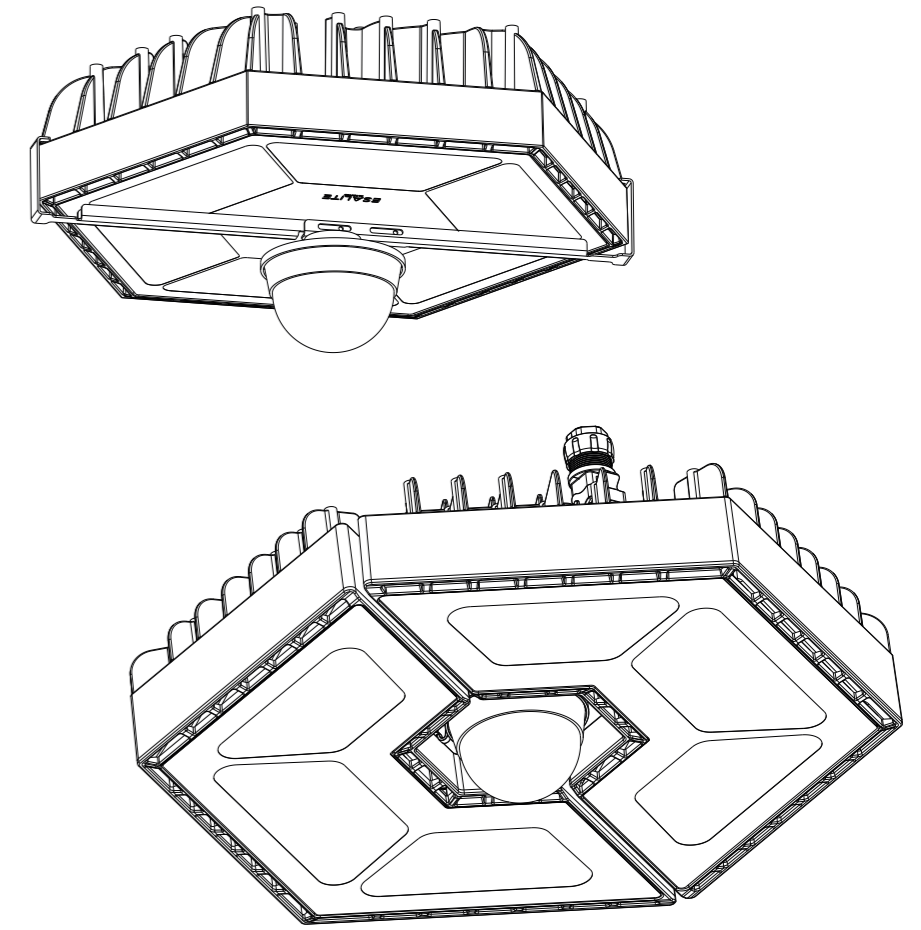
Suitable for dual wiring

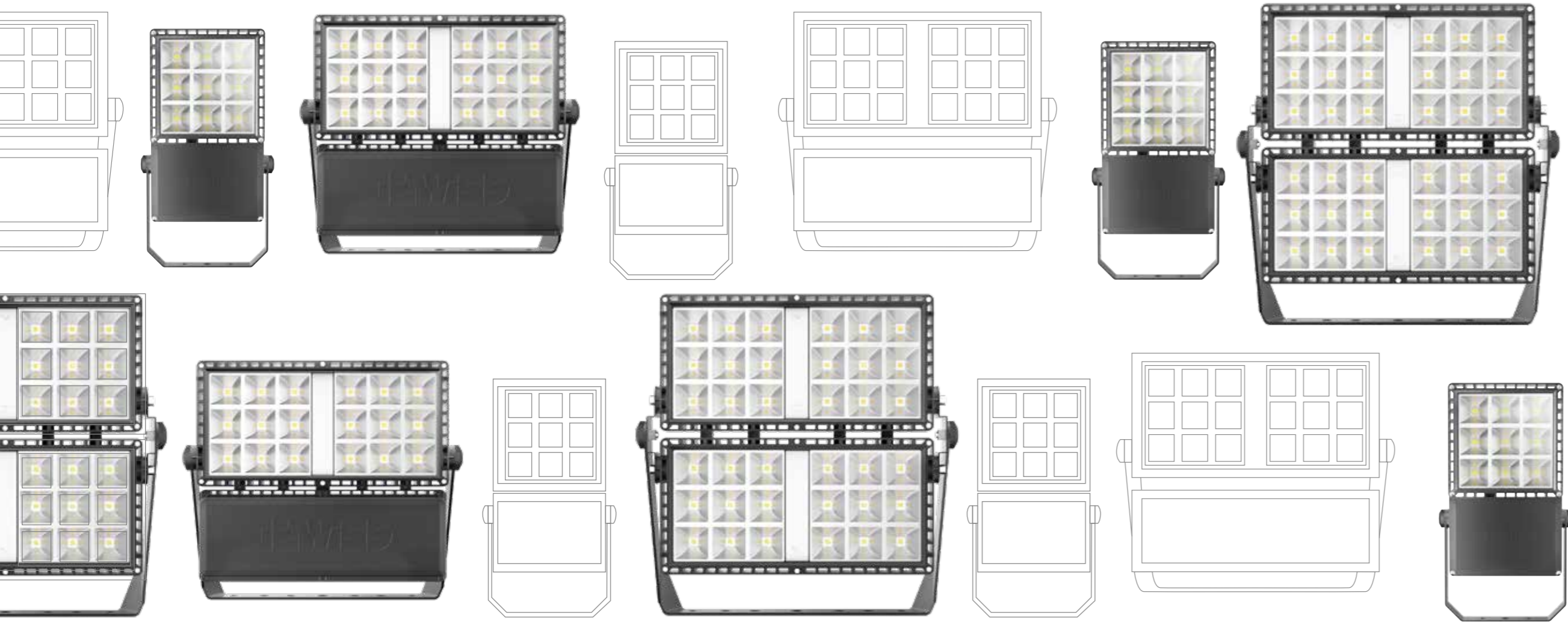


Suitable for through-conduit



Suitable for the installation of sensors and accessories





# Smart [PRO] 2.0

Light for sports and large areas

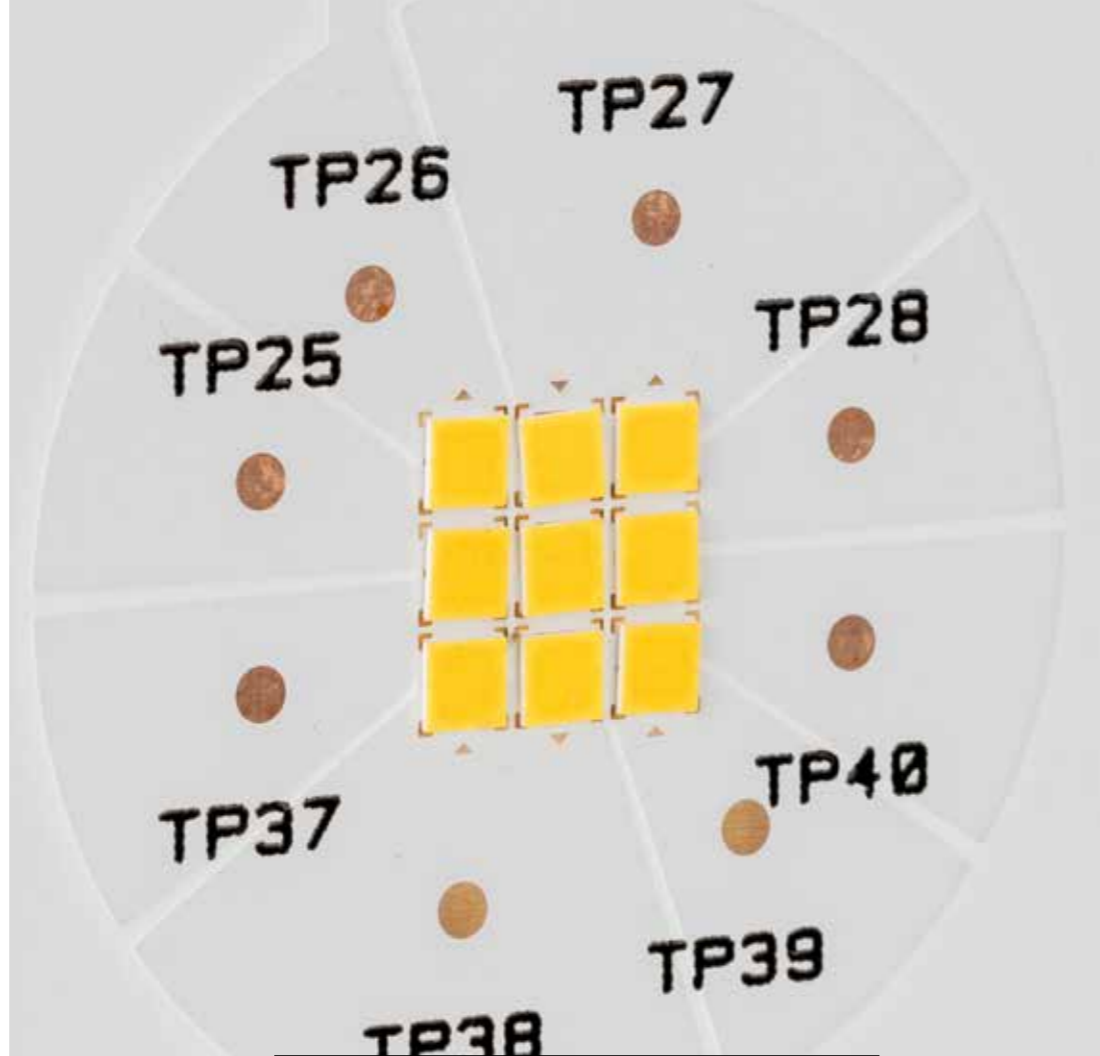
Smart [PRO] 2.0 is the new range of LED lighting devices designed specifically for sports facilities and large outdoor areas. Thanks to the latest medium and high power LEDs, it offers better lighting performance,

simplified installation, reduced maintenance costs and maximum energy savings, in both simple and complex systems.



## PRACTICAL ROBUSTNESS

Thanks to the compact design and installation flexibility of the Smart [PRO] lighting bodies, they can be used in new or existing systems, from large outdoor areas to sports facilities. The die-cast aluminium body and the most advanced LED technologies are contained in a practical, robust structure.



## LED POWER

From the lighting engineering viewpoint, these floodlights are designed to minimise the glare caused by punctiform lamps and hence greatly improve the quality of the light and the resulting visual comfort that are essential to ensure the best possible use of the area.



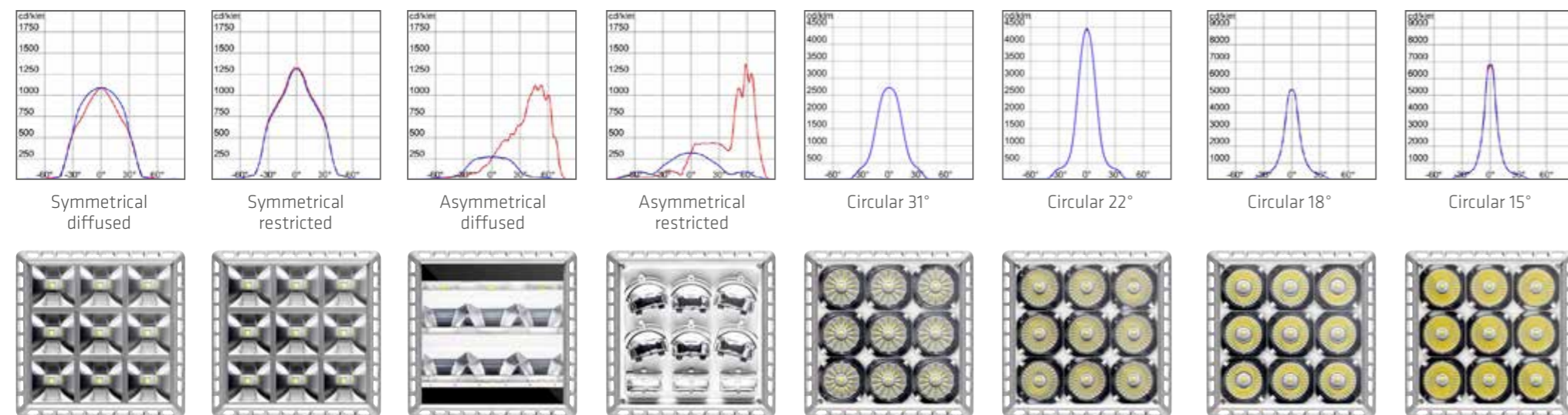
## GUARANTEED LFESPAN

Thanks to the exclusive heatsink in die-cast aluminium, Smart [PRO] far exceeds the average number of operating hours of traditional lamps, thereby reducing the number of maintenance interventions required.

Modular,  
robust and  
safe

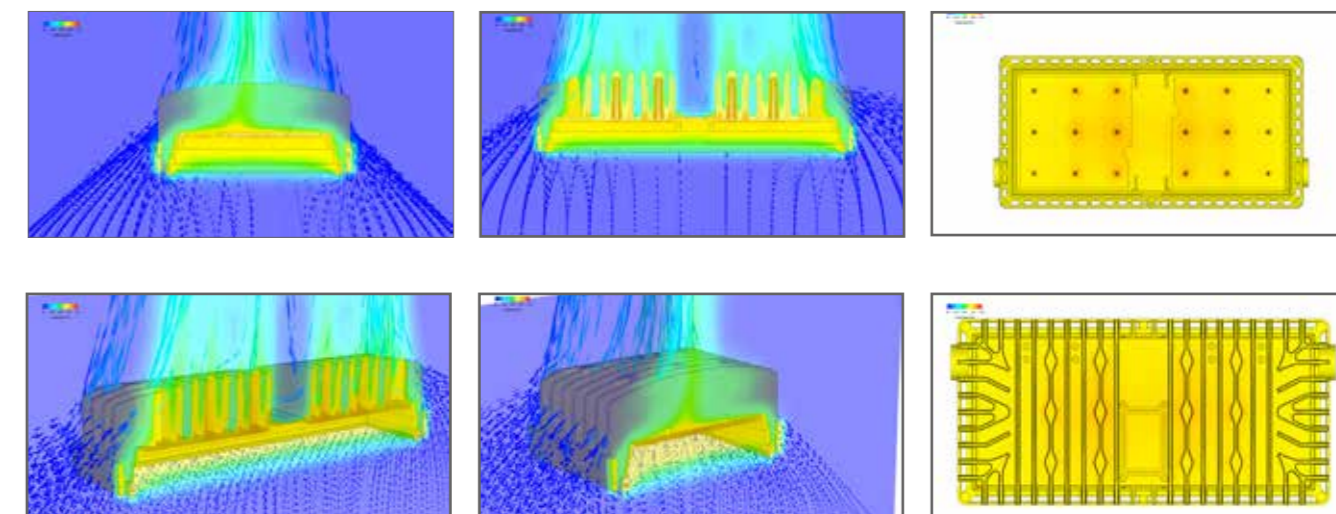


# 8 optics to suit every need



An in-depth lighting engineering study has led to the development of optic systems that guarantee the maximum adaptability to any application context. The result is a solution that can be technically adapted to any project to ensure top quality and innovation.

In addition, GEWISS guarantees optimum performance thanks to specific thermal dimensioning tests. The correct dispersion of the heat inside Smart [PRO], in fact, is ensured by the exclusive heatsink that offers the best qualitative and quantitative results.



# Range



250W eq HID => Typ 165W LED



400W eq HID => Typ 330W LED



1000W eq HID => Typ 660W LED

# Technical data



1M



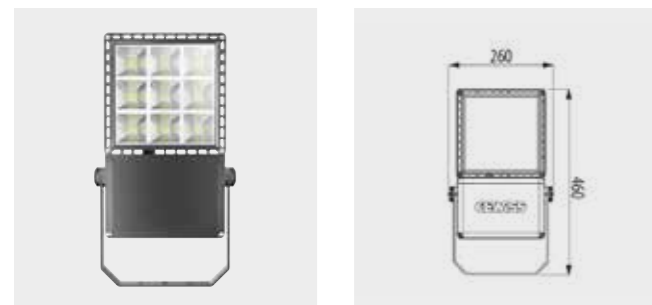
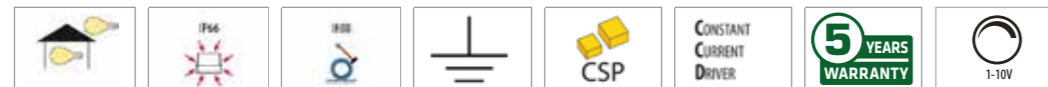
2M



2+2M

	1M	2M	2+2M
<b>Insulation class</b>	CL1		
<b>Degree of protection</b>	IP66		
<b>Impact resistance</b>	IK08		
<b>Optics</b>	2 symmetrical, 2 asymmetrical, 4 circular		
<b>System power</b>	165W	330W	660W
<b>Lumen output</b>	Up to 21Klm	Up to 41Klm	Up to 82Klm
<b>Efficiency</b>	Up to 130lm/W		
<b>Drive current</b>	700mA		
<b>Colour temperature</b>	3000K - 4000K - 5700K		
<b>CRI</b>	70 - 80		
<b>Operating temperature</b>	-30°C to +50°C		
<b>Supply voltage</b>	220-240V 50/60Hz - 1-10V - DALI		
<b>LED</b>	CSP		
<b>LIFESPAN</b>	L70B10 > 115,000h		
<b>Overvoltage protection</b>	>6kV		

### SMART [PRO] 2.0 - 1-MODULE VERSION

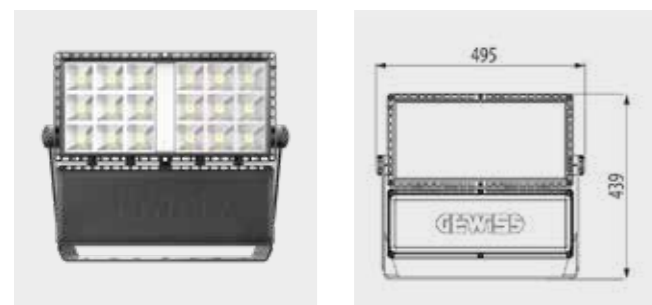
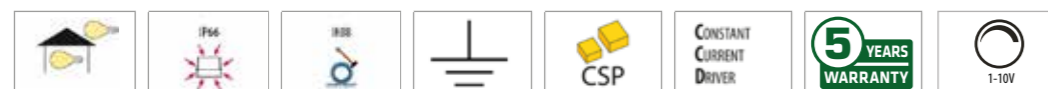


**MEDIUM-POWER LED FLOODLIGHT IN DIE-CAST ALUMINIUM - IP66 - CLASS I - DIMMABLE 1-10V**

Code	Optic	Number of modules	Colour temperature	System power	Nominal flux (lm)	Lumen output (lm)	Pack Carton
<b>250W MT equivalent</b>							
GWP2174AS	Symmetrical S1	1 (1x80 LED)	4000 K (CRI 70)	160W	24000	18710	1
GWP2174BS	Symmetrical S2	1 (1x80 LED)	4000 K (CRI 70)	160W	24000	19900	1
GWP2174CS	Asymmetrical A1	1 (1x80 LED)	4000 K (CRI 70)	160W	24000	18290	1
GWP2174FS	Asymmetrical A2	1 (1x80 LED)	4000 K (CRI 70)	160W	24000	15630	1
GWP2174GS	Circular C4	1 (1x80 LED)	4000 K (CRI 70)	160W	24000	18890	1
GWP2174HS	Circular C3	1 (1x80 LED)	4000 K (CRI 70)	160W	24000	18890	1
GWP2174LS	Circular C2	1 (1x80 LED)	4000 K (CRI 70)	160W	24000	18890	1
GWP2174MS	Circular C1	1 (1x80 LED)	4000 K (CRI 70)	160W	24000	18890	1

NOTES: version complete with DRIVER. Supply voltage 220-240V 50/60Hz  
 The technical data may undergo variations due to the continuous evolution of LED technology.  
 The nominal flux refers to Tj=85°C.  
 DALI version available upon request.

### SMART [PRO] 2.0 - 2-MODULE VERSION

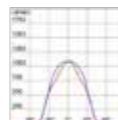


**MEDIUM-POWER LED FLOODLIGHT IN DIE-CAST ALUMINIUM - IP66 - CLASS I - DIMMABLE 1-10V**

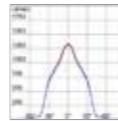
Code	Optic	Number of modules	Colour temperature	System power	Nominal flux (lm)	Lumen output (lm)	Pack Carton
<b>400W MT equivalent</b>							
GW P2 274 AS	Symmetrical S1	2 (2x80 LED)	4000 K (CRI 70)	320W	48000	37420	1
GW P2 274 BS	Symmetrical S2	2 (2x80 LED)	4000 K (CRI 70)	320W	48000	39790	1
GW P2 274 CS	Asymmetrical A1	2 (2x80 LED)	4000 K (CRI 70)	320W	48000	36580	1
GW P2 274 FS	Asymmetrical A2	2 (2x80 LED)	4000 K (CRI 70)	320W	48000	31260	1
GW P2 274 GS	Circular C4	2 (2x80 LED)	4000 K (CRI 70)	320W	48000	37780	1
GW P2 274 HS	Circular C3	2 (2x80 LED)	4000 K (CRI 70)	320W	48000	37780	1
GW P2 274 LS	Circular C2	2 (2x80 LED)	4000 K (CRI 70)	320W	48000	37780	1
GW P2 274 MS	Circular C1	2 (2x80 LED)	4000 K (CRI 70)	320W	48000	37780	1

NOTES: versions complete with driver. Supply voltage 220-240V 50/60 Hz.  
 The technical data may undergo variations due to the continuous evolution of LED technology.  
 The Nominal Flux refers to Tj=85°C.  
 DALI version available upon request.

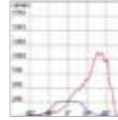
Photometric distributions



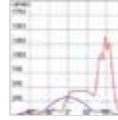
Symmetrical S1



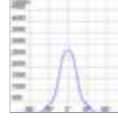
Symmetrical S2



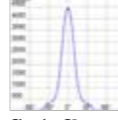
Asymmetrical A1



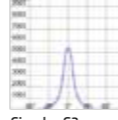
Asymmetrical A2



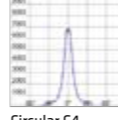
Circular C1



Circular C2

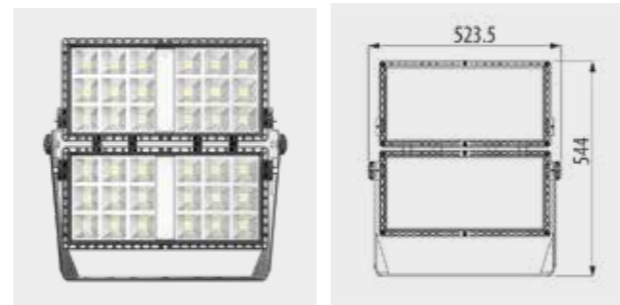
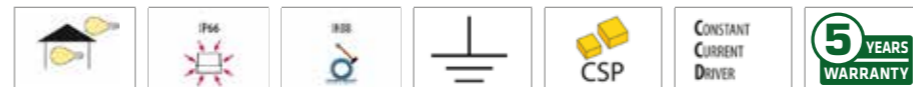


Circular C3



Circular C4

### SMART [PRO] 2.0 - 2+2 MODULE VERSION



**HIGH-POWER LED FLOODLIGHT IN DIE-CAST ALUMINIUM - IP66 - CLASS I**

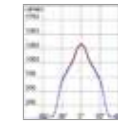
Code	Optic	Number of modules	Colour temperature	System power	Nominal flux (lm)	Lumen output (lm)	Pack Carton
<b>1000W MT equivalent</b>							
GWP2474AS	Symmetrical S1	4 (4x80 LED)	4000 K (CRI 70)	640W	96000	74840	1
GWP2474BS	Symmetrical S2	4 (4x80 LED)	4000 K (CRI 70)	640W	96000	79580	1
GWP2474CS	Asymmetrical A1	4 (4x80 LED)	4000 K (CRI 70)	640W	96000	73160	1
GWP2474FS	Asymmetrical A2	4 (4x80 LED)	4000 K (CRI 70)	640W	96000	62520	1
GWP2474GS	Circular C4	4 (4x80 LED)	4000 K (CRI 70)	640W	96000	75560	1
GWP2474HS	Circular C3	4 (4x80 LED)	4000 K (CRI 70)	640W	96000	75560	1
GWP2474LS	Circular C2	4 (4x80 LED)	4000 K (CRI 70)	640W	96000	75560	1
GWP2474MS	Circular C1	4 (4x80 LED)	4000 K (CRI 70)	640W	96000	75560	1

NOTES: versions to be completed with a remote supply unit.  
 The technical data may undergo variations due to the continuous evolution of LED technology.  
 The nominal flux refers to Tj=85°C.  
 DALI version available upon request.

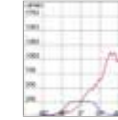
Photometric distributions



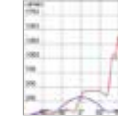
Symmetrical S1



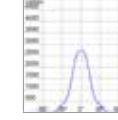
Symmetrical S2



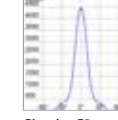
Asymmetrical A1



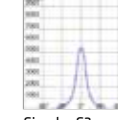
Asymmetrical A2



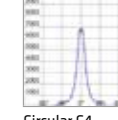
Circular C1



Circular C2



Circular C3



Circular C4



GW SP2901



GW SP2902



GW84785

**ACCESSORIES**

Code	Description	IP	Dimming	Voltage
GWP2901	Remote supply unit for SMART[PRO] 2+2 M	IP66	1-10V	220-240V 50/60Hz
GWP2902	Spare glass kit for Smart [PRO] 2.0 1M			
GWP2903	Spare glass kit for Smart [PRO] 2.0 2M / 2+2M			
GW84785	Red Dot pointer			
GWP2904	Pointer support for Smart [PRO]			



DIGITALSPORT  
INNOVATION



football  
innovation  
sicurezza e illuminazione a tutto campo



GEWISS business partner In collaboration with



# We provide light for sport

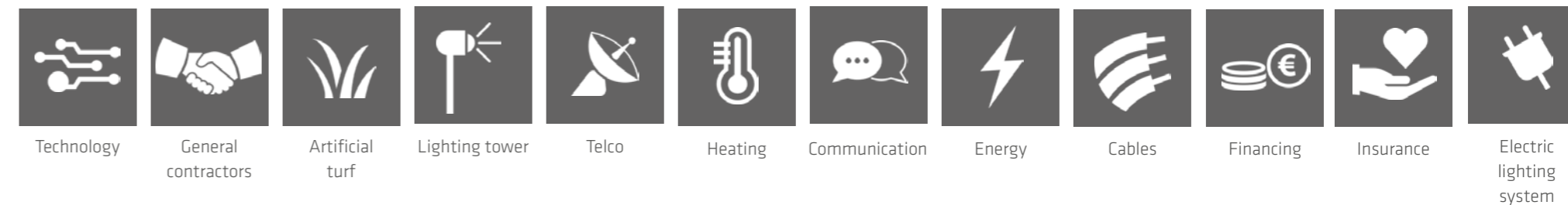
By replacing traditional system lamps with the latest lighting devices, it's possible to obtain immediate savings on running costs (energy consumption and maintenance) and better playing conditions. These savings become an economic resource that can repay the entire investment and improve the services of your playing field within a short space of time.

**DIGITAL SPORT INNOVATION** aims to renew indoor and outdoor Italian sports facilities, starting with the lighting of playing fields, spectator stands, changing rooms and utility rooms. These measures help improve the conditions that allow the athletes to fully express their technical skills and therefore favour the growth of the Italian sports movement as a whole.

**FOOTBALL INNOVATION** is based on the will to offer amateur Italian sports clubs the opportunity to play football in the utmost safety and in comfortable, clean, efficient conditions. This project was developed in collaboration with the Lega Nazionale Dilettanti (National Amateur League) and with our business partner Corus.

By adhering to **DIGITAL SPORT INNOVATION** or **FOOTBALL INNOVATION**, you can choose to purchase a new system and drastically reduce your costs straight away. Alternatively, in collaboration with GEWISS and its partners, you can opt for a deferred payment plan which will give you notable cost savings immediately, without any initial investment.

## A SERIES OF SERVICES DEDICATED TO THE CREATION OF A "TURNKEY" SPORTS SYSTEM



The aim of the Guide is to spread a lighting culture from the design and installation point of view, providing the information needed to create lighting systems for sports activities.





ESALITE



Smart [4]



Saturno



Dedalo



Point



Extro



Trilight



Urban [3]



## MAXIMUM SAFETY

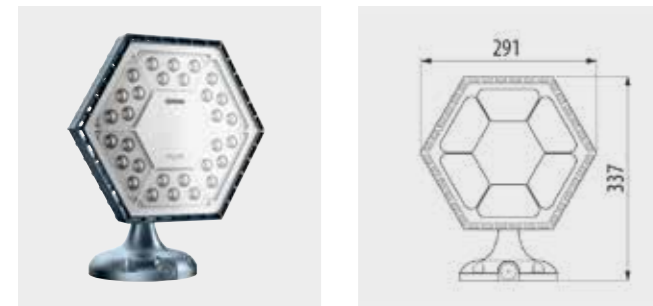
The lighting of parks and green areas is a fundamental factor in terms of increasing the perception of night-time safety. Thanks to the wide range of solutions, BlueGreen devices ensure excellent versatility for every application context.



## UNIQUE COLOUR

A special metallic finish that blends into the surrounding context of the park or garden. Ideal for the ground solution in particular, with bollard installation. An exclusive colour in harmonious equilibrium with outdoor environments. A GEWISS colour. Immediately recognisable, fully integrated.

ESALITE PL - 6K

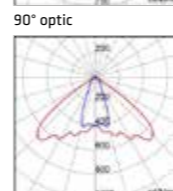
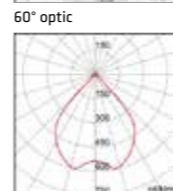
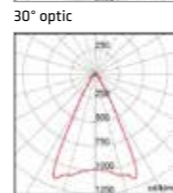
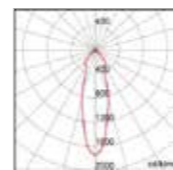


ARCHITECTURAL VERSIONS - IP66 - CLASS I - DALI DRIVER

Code	Optic	Number of modules	Colour temperature	System power	Colour	Pack Carton
<b>Version with glass</b>						
GW S6 512 BD 30K 30°	30°	1x30 LED	3000 K (CRI 80)	51W	Midnight blue	1
GW S6 513 BD 30K 60°	60°	1x30 LED	3000 K (CRI 80)	51W	Midnight blue	1
GW S6 514 BD 30K 90°	90°	1x30 LED	3000 K (CRI 80)	51W	Midnight blue	1
GW S6 515 BD 30K Elliptical	Elliptical	1x30 LED	3000 K (CRI 80)	51W	Midnight blue	1

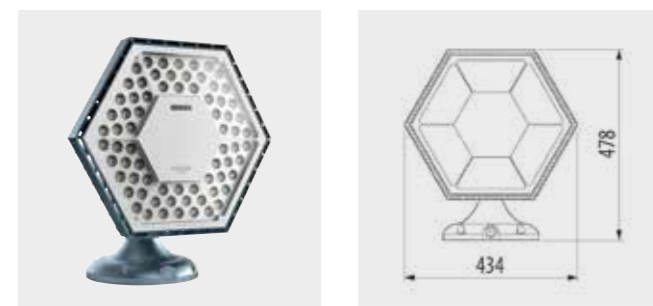
NOTES: supply voltage 220-240V 50/60 Hz.  
The technical data may undergo variations due to the continuous evolution of LED technology.  
The nominal flux refers to Tj=85°C.

Photometric distributions



Elliptical optic

ESALITE PL - 12K

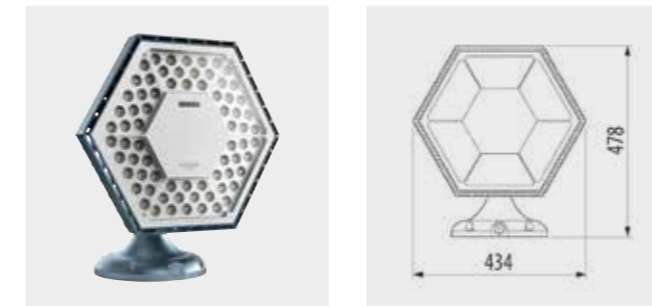


ARCHITECTURAL VERSIONS - IP66 - CLASS I - DALI DRIVER

Code	Optic	Number of modules	Colour temperature	System power	Colour	Pack Carton
<b>Version with glass</b>						
GW S6 522 BD 30K 30°	30°	1x54 LED	3000 K (CRI 80)	109W	Midnight blue	1
GW S6 523 BD 30K 60°	60°	1x54 LED	3000 K (CRI 80)	109W	Midnight blue	1
GW S6 524 BD 30K 90°	90°	1x54 LED	3000 K (CRI 80)	109W	Midnight blue	1
GW S6 525 BD 30K Elliptical	Elliptical	1x54 LED	3000 K (CRI 80)	109W	Midnight blue	1

NOTES: supply voltage 220-240V 50/60 Hz.  
The technical data may undergo variations due to the continuous evolution of LED technology.  
The nominal flux refers to Tj=85°C.

ESALITE PL - 16K

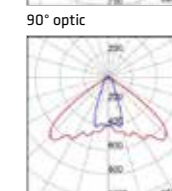
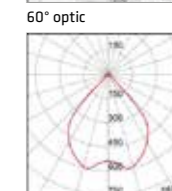
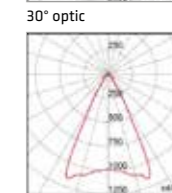
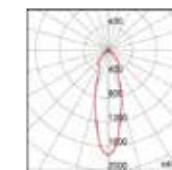


ARCHITECTURAL VERSIONS - IP66 - CLASS I - DALI DRIVER

Code	Optic	Number of modules	Colour temperature	System power	Colour	Pack Carton
<b>Version with glass</b>						
GW S6 532 BD 30K 30°	30°	1x54 LED	3000 K (CRI 80)	142W	Midnight blue	1
GW S6 533 BD 30K 60°	60°	1x54 LED	3000 K (CRI 80)	142W	Midnight blue	1
GW S6 534 BD 30K 90°	90°	1x54 LED	3000 K (CRI 80)	142W	Midnight blue	1
GW S6 535 BD 30K Elliptical	Elliptical	1x54 LED	3000 K (CRI 80)	142W	Midnight blue	1

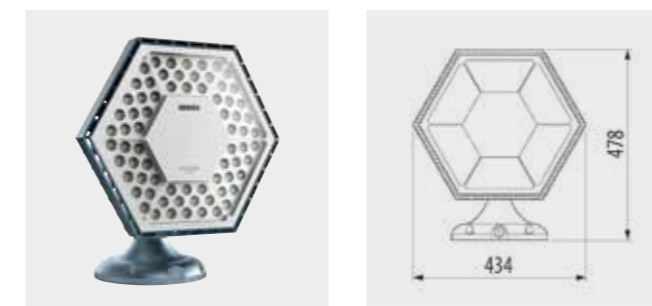
NOTES: supply voltage 220-240V 50/60 Hz.  
The technical data may undergo variations due to the continuous evolution of LED technology.  
The nominal flux refers to Tj=85°C.

Photometric distributions



Elliptical optic

ESALITE PL - 20K

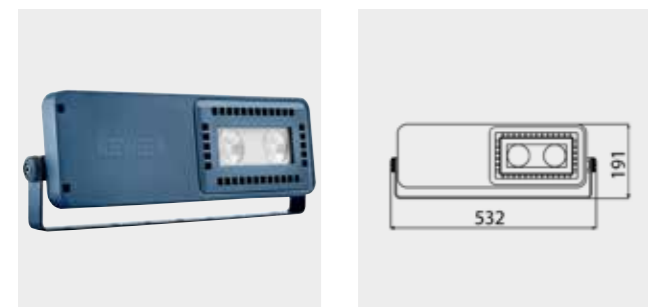
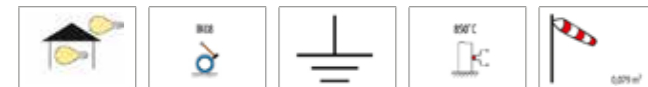


ARCHITECTURAL VERSIONS - IP66 - CLASS I - DALI DRIVER

Code	Optic	Number of modules	Colour temperature	System power	Colour	Pack Carton
<b>Version with glass</b>						
GW S6 542 BD 30K 30°	30°	1x72 LED	3000 K (CRI 80)	145W	Midnight blue	1
GW S6 543 BD 30K 60°	60°	1x72 LED	3000 K (CRI 80)	145W	Midnight blue	1
GW S6 544 BD 30K 90°	90°	1x72 LED	3000 K (CRI 80)	145W	Midnight blue	1
GW S6 545 BD 30K Elliptical	Elliptical	1x72 LED	3000 K (CRI 80)	145W	Midnight blue	1

NOTES: supply voltage 220-240V 50/60 Hz.  
The technical data may undergo variations due to the continuous evolution of LED technology.  
The nominal flux refers to Tj=85°C.

**SMART[4] 2.0 FL -2L - EQUIVALENT TO 35W MT**



**WIRED VERSIONS - IP66 - CLASS I**

Code	Optic	Colour temperature	System power	Nominal flux (lm)	Lumen output (lm)	Colour	Weight (kg)	Pack Carton
<b>Voltage: 220/240V - 50/60 Hz - Stand alone</b>								
GW S4 101 BS	10° spotlight	3000 K (CRI 80)	25W	2750	1980	Midnight blue	3	1
GW S4 103 BS	Medium 60°	3000 K (CRI 80)	25W	2750	2540	Midnight blue	3	1
GW S4 104 BS	100° diffused	3000 K (CRI 80)	25W	2750	2420	Midnight blue	3	1
GW S4 105 BS	Elliptical	3000 K (CRI 80)	25W	2750	2450	Midnight blue	3	1
<b>Voltage: 220/240V - 50/60 Hz - DALI</b>								
GW S4 101 BD	10° spotlight	3000 K (CRI 80)	26W	2750	1980	Midnight blue	3	1
GW S4 103 BD	Medium 60°	3000 K (CRI 80)	26W	2750	2540	Midnight blue	3	1
GW S4 104 BD	100° diffused	3000 K (CRI 80)	26W	2750	2420	Midnight blue	3	1
GW S4 105 BD	Elliptical	3000 K (CRI 80)	26W	2750	2450	Midnight blue	3	1

ACCESSORIES: fixing bracket and watertight connector.

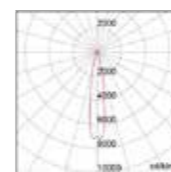
NOTE: the technical data may undergo variations due to the continuous evolution of LED technology.

The Nominal Flux refers to Tj=85°C.

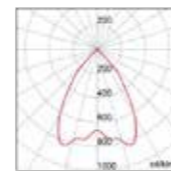
Versions with 3000K (-30K) or 5700K (-57K) LED available upon request.

Maximum operating temperature: +50°C.

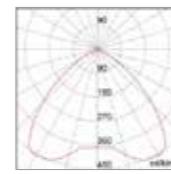
Photometric distributions



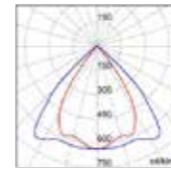
10° spotlight



Medium 60°

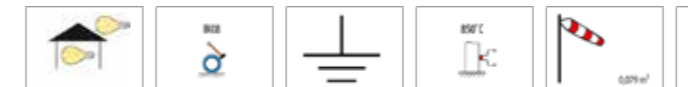


100° diffused



Elliptical

**SMART[4] 2.0 FL - 5L - EQUIVALENT TO 100W MT**



**WIRED VERSIONS - IP66 - CLASS I**

Code	Optic	Colour temperature	System power	Nominal flux (lm)	Lumen output (lm)	Colour	Weight (kg)	Pack Carton
<b>Voltage: 220/240V - 50/60 Hz - Stand alone</b>								
GW S4 131 BS	10° spotlight	3000 K (CRI 80)	60W	6610	4940	Midnight blue	4.9	1
GW S4 133 BS	Medium 60°	3000 K (CRI 80)	60W	6610	6340	Midnight blue	4.9	1
GW S4 134 BS	100° diffused	3000 K (CRI 80)	60W	6610	6050	Midnight blue	4.9	1
GW S4 135 BS	Elliptical	3000 K (CRI 80)	60W	6610	6130	Midnight blue	4.9	1
<b>Voltage: 220/240V - 50/60 Hz - DALI</b>								
GW S4 131 BD	10° spotlight	3000 K (CRI 80)	61W	6610	4940	Midnight blue	4.9	1
GW S4 133 BD	Medium 60°	3000 K (CRI 80)	61W	6610	6340	Midnight blue	4.9	1
GW S4 134 BD	100° diffused	3000 K (CRI 80)	61W	6610	6050	Midnight blue	4.9	1
GW S4 135 BD	Elliptical	3000 K (CRI 80)	61W	6610	6130	Midnight blue	4.9	1

ACCESSORIES: fixing bracket and watertight connector.

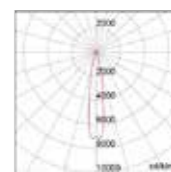
NOTE: the technical data may undergo variations due to the continuous evolution of LED technology.

The Nominal Flux refers to Tj=85°C.

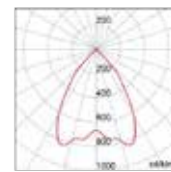
Versions with 3000K (-30K) or 5700K (-57K) LED available upon request.

Maximum operating temperature: +50°C.

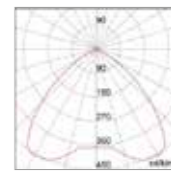
Photometric distributions



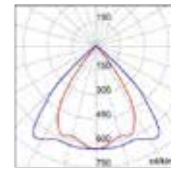
10° spotlight



Medium 60°

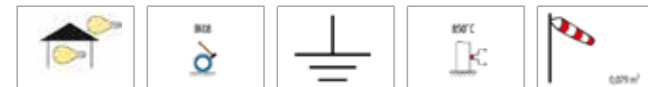


100° diffused



Elliptical

**SMART[4] 2.0 FL -2+2L - EQUIVALENT TO 70W MT**



**WIRED VERSIONS - IP66 - CLASS I**

Code	Optic	Colour temperature	System power	Nominal flux (lm)	Lumen output (lm)	Colour	Weight (kg)	Pack Carton
<b>Voltage: 220/240V - 50/60 Hz - Stand alone</b>								
GW S4 111 BS	10° spotlight	3000 K (CRI 80)	50W	5500	3950	Midnight blue	5.1	1
GW S4 113 BS	Medium 60°	3000 K (CRI 80)	50W	5500	5070	Midnight blue	5.1	1
GW S4 114 BS	100° diffused	3000 K (CRI 80)	50W	5500	4840	Midnight blue	5.1	1
GW S4 115 BS	Elliptical	3000 K (CRI 80)	50W	5500	4910	Midnight blue	5.1	1
<b>Voltage: 220/240V - 50/60 Hz - DALI</b>								
GW S4 111 BD	10° spotlight	3000 K (CRI 80)	51W	5500	3950	Midnight blue	5.1	1
GW S4 113 BD	Medium 60°	3000 K (CRI 80)	51W	5500	5070	Midnight blue	5.1	1
GW S4 114 BD	100° diffused	3000 K (CRI 80)	51W	5500	4840	Midnight blue	5.1	1
GW S4 115 BD	Elliptical	3000 K (CRI 80)	51W	5500	4910	Midnight blue	5.1	1

ACCESSORIES: fixing bracket and watertight connector.

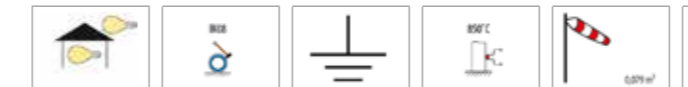
NOTE: the technical data may undergo variations due to the continuous evolution of LED technology.

The Nominal Flux refers to Tj=85°C.

Versions with 3000K (-30K) or 5700K (-57K) LED available upon request.

Maximum operating temperature: +50°C.

**SMART[4] 2.0 FL - 5+5L - EQUIVALENT TO 250W MT**



**WIRED VERSIONS - IP66 - CLASS I**

Code	Optic	Colour temperature	System power	Nominal flux (lm)	Lumen output (lm)	Colour	Weight (kg)	Pack Carton
<b>Voltage: 220/240V - 50/60 Hz - Stand alone</b>								
GW S4 151 BS	10° spotlight	3000 K (CRI 80)	118W	13270	9880	Midnight blue	8.5	1
GW S4 153 BS	Medium 60°	3000 K (CRI 80)	118W	13270	12680	Midnight blue	8.5	1
GW S4 154 BS	100° diffused	3000 K (CRI 80)	118W	13270	12100	Midnight blue	8.5	1
GW S4 155 BS	Elliptical	3000 K (CRI 80)	118W	13270	12270	Midnight blue	8.5	1
<b>Voltage: 220/240V - 50/60 Hz - DALI</b>								
GW S4 151 BD	10° spotlight	3000 K (CRI 80)	121W	13270	9880	Midnight blue	8.5	1
GW S4 153 BD	Medium 60°	3000 K (CRI 80)	121W	13270	12680	Midnight blue	8.5	1
GW S4 154 BD	100° diffused	3000 K (CRI 80)	121W	13270	12100	Midnight blue	8.5	1
GW S4 155 BD	Elliptical	3000 K (CRI 80)	121W	13270	12270	Midnight blue	8.5	1

ACCESSORIES: fixing bracket and watertight connector.

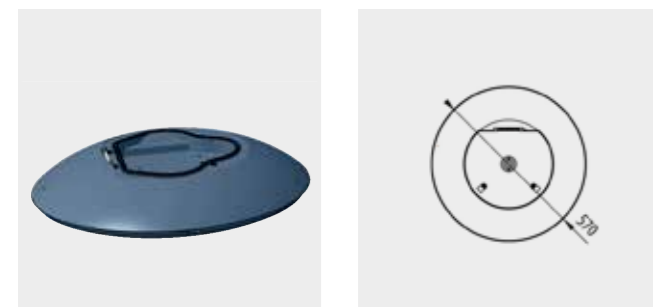
NOTE: the technical data may undergo variations due to the continuous evolution of LED technology.

The Nominal Flux refers to Tj=85°C.

Versions with 3000K (-30K) or 5700K (-57K) LED available upon request.

Maximum operating temperature: +50°C.

SYSTEMS FOR GEWISS SIDE BRACKETS - LED

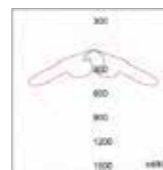


URBAN LIGHTING DEVICES IN DIE-CAST ALUMINIUM - IP66  
LED MODULES POWERED AT 550 mA WITH PLEXIGLASS LENSES

Code	Number of modules	Colour temperature	System power	Nominal flux (lm)	Lumen output (lm)	Colour	Weight (kg)	Pack Carton
<b>LED - Cycle and pedestrian optic - Voltage: 220/240V - 50/60 Hz - Stand-alone and/or dimmable 1-10V</b>								
GW S7 501 B	2 (2x16 LED)	3500 K (CRI 85)	54 W	3940	3240	Midnight blue	8.2	1
GW S7 502 B	3 (3x16 LED)	3500 K (CRI 85)	81 W	5760	4740	Midnight blue	8.8	1
GW S7 503 B	4 (4x16 LED)	3500 K (CRI 85)	105W	7540	6210	Midnight blue	9.5	1

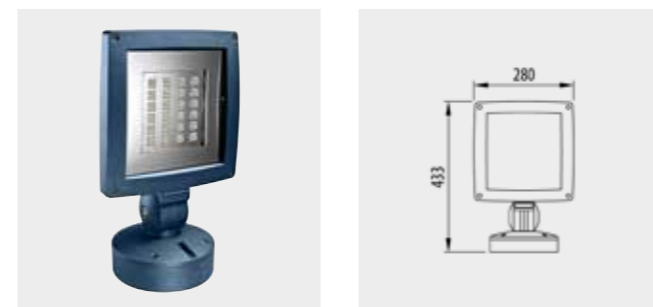
NB: to be completed with the accessories in the "GEWISS poles and side brackets" section  
 NOTES: the data refer to 550 mA.  
 Stand-alone and/or dimmable versions 1-10V: the driver can be set at different control currents.  
 2-speed versions with self-learning: Driver Full prog. (50% reduction from 1h before to 4h after the average peak of the ON period).  
 The technical data may undergo variations due to the continuous evolution of LED technology.  
 The Nominal Flux refers to Tj=85°C.

Photometric distributions



Cycle and pedestrian optic

SATURNO LED

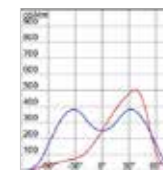


WIRED VERSIONS - IP65 - CLASS II

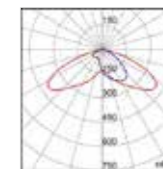
Code	Optic	Number of lamps	Colour temperature	System power	Nominal flux (lm)	Lumen output (lm)	Colour	Pack Carton
<b>Voltage: 220/240V - 50/60 Hz - Stand alone</b>								
GW 85 661 B	Asymmetrical	24	3000 K (CRI 90)	50W	3750	2980	Midnight blue	1
GW 85 662 B	Street	24	3000 K (CRI 90)	50W	3280	2730	Midnight blue	1
GW 85 663 B	Spot 16°	24	3000 K (CRI 90)	50W	3650	3050	Midnight blue	1

NOTE: the technical data may undergo variations due to the continuous evolution of LED technology.

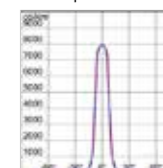
Photometric distributions



Asymmetrical optic

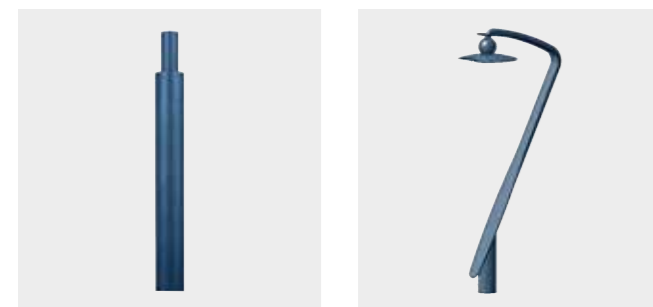


Street optic



16° spotlight optic

GEWISS POLES AND SIDE BRACKETS



PAINTED CYLINDRICAL POLES

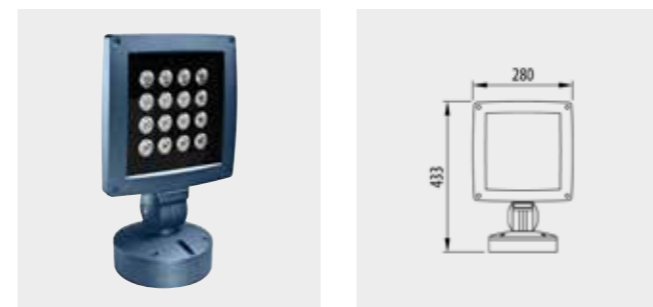
Code	Total length (m)	Planting (m)	Base diameter (mm)	Top diameter (mm)	Colour	Weight (kg)	Pack Carton
GW 87 691 B	4	0.5	102	60	Midnight blue	31	1
GW 87 692 B	4.5	0.5	102	60	Midnight blue	35	1

NOTE: painted poles in hot-galvanised steel, complete with junction terminal block

SUSPENDED POLE-HEAD BRACKETS FOR CYLINDRICAL POLES

Code	Description	Colour	Weight (kg)	Pack Carton
GW 87 987 B	Single	Midnight blue	6.5	1

SATURNO RGB

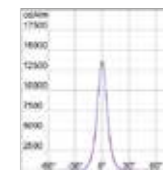


VERSIONS WITH LED LAMPS - IP65 - CLASS I

Code	Optic	Lamp	Number of lamps	Total power	Colour	Weight (kg)	Pack Carton
<b>Voltage: 90 / 260V - 50 / 60 Hz - Power supply 350 mA</b>							
GW 85 646 B	Circular 40°	RGB LED	16	48W	Midnight blue	3	1

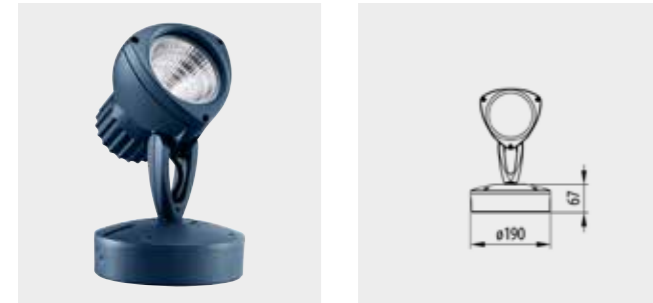
ACCESSORIES: 6 DMX channels: red, green, blue, strobe, rainbow, dimmer.  
 NOTE: the technical data may undergo variations due to the continuous evolution of LED technology.

Photometric distributions



Circular optic 40°

**DEDALO LED**

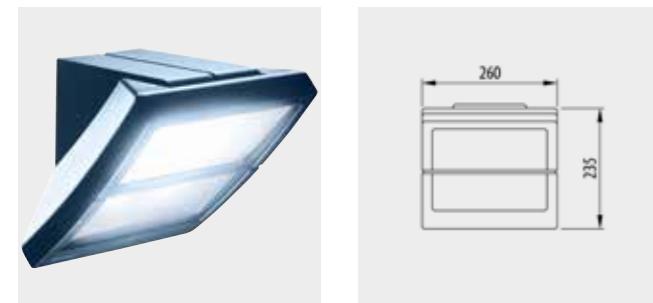
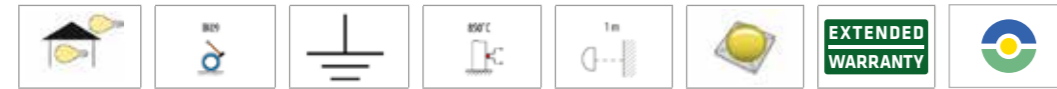


**WIRED VERSIONS WITH ROUND BASE - IP66 - CLASS II**

Code	Optic	Number of lamps	Colour temperature	System power	Nominal flux (lm)	Lumen output (lm)	Colour	Pack Carton
<b>Narrow beam versions - Voltage: 220/240V - 50/60 Hz - Stand-alone</b>								
GW 84 173 B	Circular 20°	1	3000 K (CRI 80)	18W	1290	1080	Midnight blue	1
<b>Wide beam versions - Voltage: 220/240V - 50/60 Hz - Stand-alone</b>								
GW 84 174 B	Circular 45°	1	3000 K (CRI 80)	18W	1280	1070	Midnight blue	1

NOTE: LED control current = 500mA.  
the technical data may undergo variations due to the continuous evolution of LED technology.

**EXTRO**

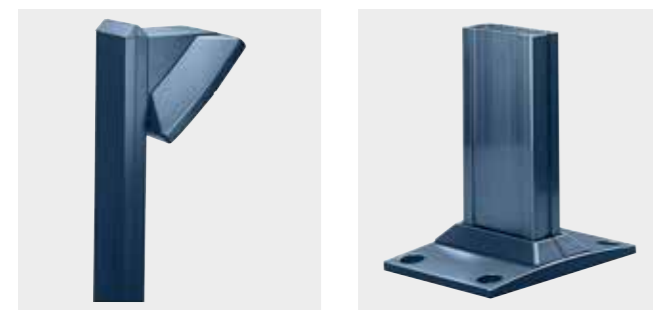


**WIRED VERSIONS WITH LED MODULES - IP55 - CLASS I**

Code	System power	Lamp	Colour temperature	Nominal flux (lm)	Lumen output (lm)	Colour	Weight (kg)	Pack Carton
<b>Voltage: 220/240V - 50/60 Hz - Stand alone</b>								
GW S2 401 B	13W	LED	3000 K (CRI 80)	930	770	Midnight blue	2	1/2
GW S2 402 B	26W	LED	3000 K (CRI 80)	1850	1440	Midnight blue	2.4	1/2

NOTE: the technical data may undergo variations due to the continuous evolution of LED technology.

**COMPLEMENTARY ITEMS FOR INSTALLATIONS ON COLUMN**



**SINGLE LUMINAIRE SUPPORT COLUMN**

Code	Material	Height (mm)	Planting recommended	Colour	Pack Carton
GW 82 292 B	Extruded aluminium	1300	250mm	Midnight blue	1

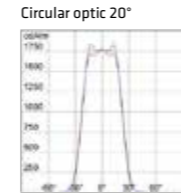
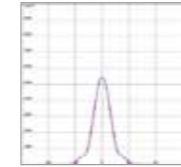
NOTES: columns suitable for private areas only.

**RECTANGULAR BASE FOR SUPPORT COLUMN WITH MAX. HEIGHT 1300MM**

Code	Material	External dimensions LxHxD (mm)	Colour	Pack Carton
GW 82 297 B	Extruded aluminium	300x202x315	Midnight blue	1/4

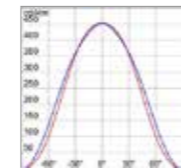
CHARACTERISTICS: the base + column assembly is fixed to the concrete either with clamps drowned in the concrete, or with wall plugs (max. screw Ø = 12mm).  
ACCESSORIES: 2 screws M4x12 for fixing the column to the base.

**Photometric distributions**



Circular optic 45°

**Photometric distributions**



13-26W

**TRILIGHT**

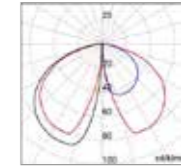


**WIRED VERSIONS WITH LED SOURCES - IP66 - CLASS I**

Code	Number of lamps	System power	Main lamp	Signalling lamp	Height H (mm)	Colour	Weight (kg)	Pack Carton
<b>Voltage: 220/230V - 50/60 Hz</b>								
GW 82 082 B	6+3	27W	white LED - 3000 K	White	350	Midnight blue	4	1
GW 82 085 B	6+3	27W	white LED - 3000 K	White	550	Midnight blue	4.8	1
GW 82 088 B	6+3	27W	white LED - 3000 K	White	950	Midnight blue	6.4	1

NOTE: the technical data may undergo variations due to the continuous evolution of LED technology.

**Photometric distributions**



27W

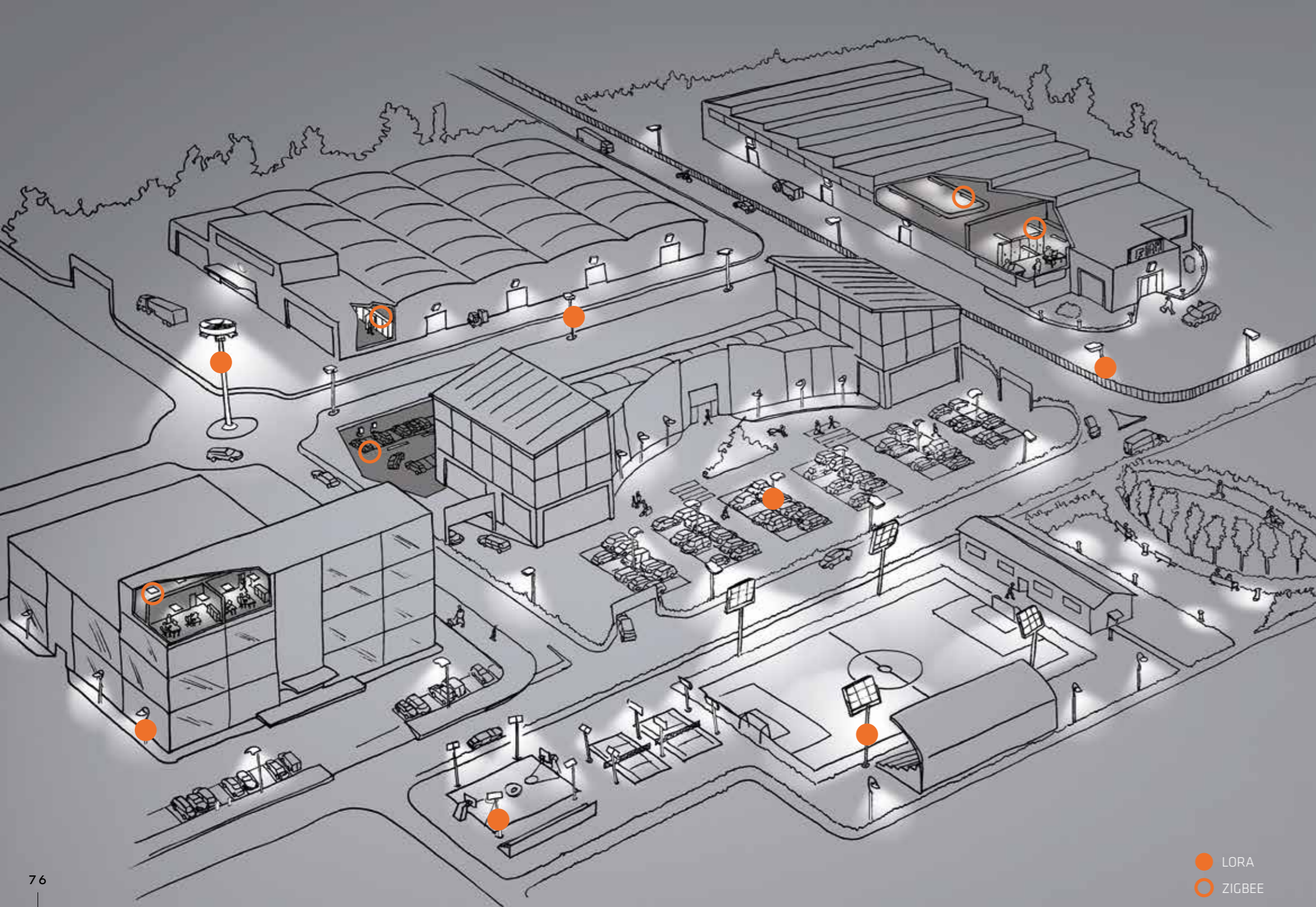
**POINT**



**WIRED VERSIONS WITH LED SOURCES - IP55 - CLASS II**

Code	Number of lamps	Colour temperature	Lamp power	Lamp	Lamp holder	Colour	Height (mm)	Pack Carton
<b>Voltage: 230V - 50 Hz</b>								
GW 82 011 B	1	3000K	4W	DR	E14	Midnight blue	447	1/2
GW 82 016 B	1	3000K	6W	DR	E27	Midnight blue	502	1/2

NOTE: device supplied with lamp.



# Smart Lighting

Driven by LED technology, lighting solutions are increasingly becoming part of a more complete eco system, integrating new functionality.

Lighting systems continue to evolve, now allowing you to manage, receive and process data - integrating perfectly with widely used mobile devices, such as smartphones and tablets.

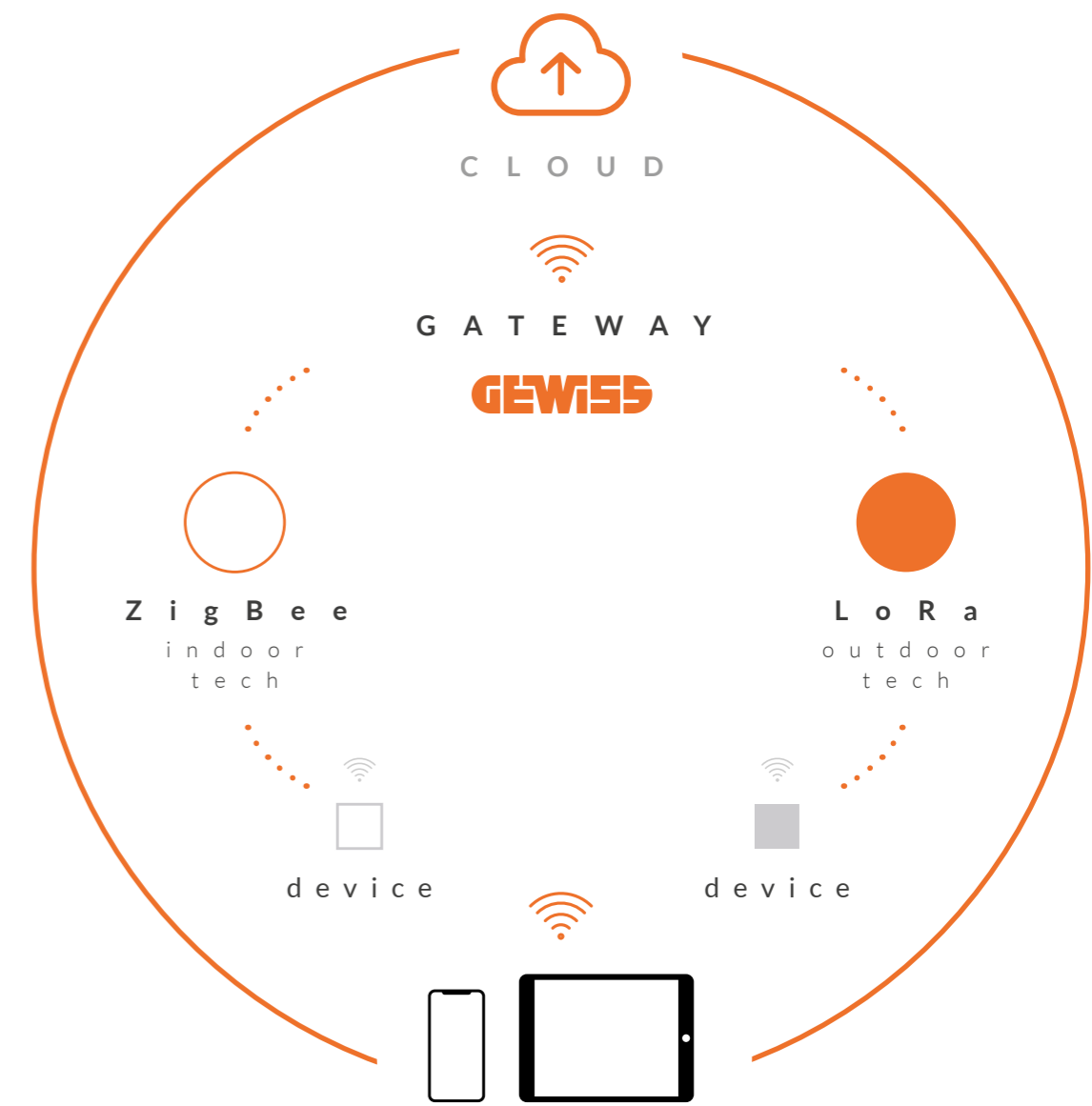
This is Smart Lighting; intelligent, sustainable lighting, improving light quality while reducing light pollution and energy consumption. Four key concepts are at the heart of GEWISS' lighting solutions: Integration. Our solutions form part of an intelligent system, combining lighting solutions with Home & Building Automation systems, meeting the demands of the world of Internet of Things (IOT).

**Scalability.** All products are dimmable with DALI (or 1-10V systems, interfaced with the KNX protocol), ensuring you have scalable building automation.

**Remote control.** Wireless technologies (Bluetooth / Zigbee / Lora) connected to devices and systems can be updated in real time, even remotely.

**Excellent performance.** High quality products are combined with GEWISS' technical know-how, to offer the best solution in terms of performance, energy saving and visual comfort.

● LORA  
○ ZIGBEE



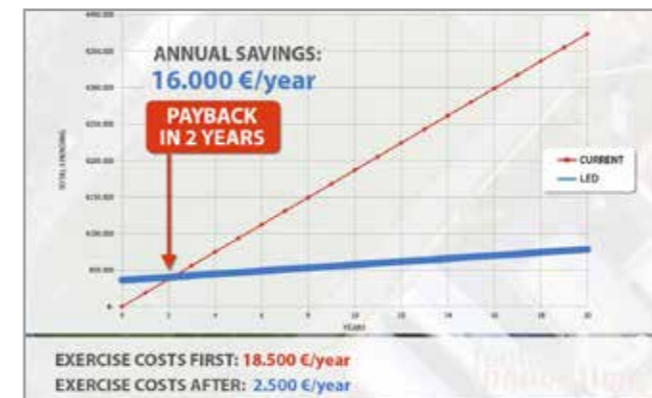


# The system that pays for itself

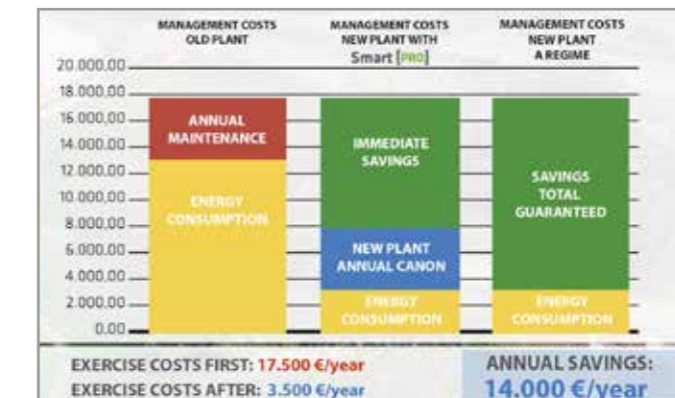
A goal and a promise. All the advantages of energy savings with a safe, personalised procedure. From the preliminary inspection for the design of new systems or the evaluation of existing systems for device replacement, to the final installation, GEWISS offers the best team of specialists for a methodical, reliable procedure and the best technical and economic offer on the market. A turnkey solution, with lighting always installed to GEWISS's own quality and efficiency standards.

## The ease of choosing a system that pays for itself.

With the relamping solution, there's a guaranteed lifespan of 5 years but savings are already evident in less than 2 years. The efficiency of the latest GEWISS LEDs ensures energy savings of up to 80% compared with traditional systems. The range of solutions covers every possible system requirement. The products installed, and smart savings, guarantee top economic and energy savings in the long term too, thanks to the reduced maintenance costs and reduced energy consumption without any initial outlay.



AN EXAMPLE OF RELAMPING WITH DIRECT PURCHASE



AN EXAMPLE OF RELAMPING WITH OPERATIONAL HIRE



AN EXAMPLE OF THE CREATION OF A NEW SYSTEM





# We light up your business

GEWISS' commitment across the entire range of products and solutions reveals one single constant feature: the aim to go well beyond the technological purpose of product research.

A human-centred light with **excellent chromatic yield** and a very long lifespan, thanks to the outstanding technical and mechanical characteristics.

GEWISS lighting products are **guaranteed for 5 years**. They're conceived and created with a firm basis in the positive development of the customer's company growth, and therefore offer the best outlook in terms of performance, safeguarding the customer even in the **most extreme application conditions**. GEWISS is able to guarantee a long lifespan for its products because they have a technically pioneering design and are made of highly resistant materials.

The **conscious use of lighting engineering** by dedicated specialists has made it possible to design manageable products that are easy to handle in the event of maintenance - **lightweight and yet robust** at the same time.

## DEDICATED SPECIALISTS

The GEWISS technician is, first and foremost, a **consultant** which can help customers make the right choices; examining and evaluating the ideal product or solution every time, on the basis of the specific request. The GEWISS team is made up of highly qualified professionals able to study the needs and select the best product or service, assessing the risks and coming up with new, personalised solutions.

For the details, from the design to the selection of the materials, every choice is managed from the heart of the company to ensure the best product for your business, taking into account the needs that will always be different in different places. A light that's integrated with the context, positioned where it's needed and in the best way possible - that's the trademark that GEWISS attaches to the optimisation of energy consumption.





# A range of services at your fingertips

## DESIGN TEAM

For the most specific needs of customers and designers, we offer support for the design of the system and lighting engineering. A dedicated team of professionals with the most modern design software will develop the entire project in detail, guaranteeing quality and the right level of lighting for every surface and context.

## SOFTWARE



PROLITE for the lighting design of both indoor and outdoor environments, as well as streets and tunnels. It offers valid support for the designer in the budgeting and creation of all the documentation to be supplied to the customer in order to back up the project choices.



Plug-In for professional lighting design using GEWISS products. To be used with Dialux software.



Plug-In for professional lighting design using GEWISS products. To be used with Relux software.



ECOLED is an online software package that can be used by any device connected to the Internet (smartphone, tablet or PC) to calculate the payback for the replacement of traditional lighting devices with equivalent LED ones.



BIM is an online software package that can be used by any device connected to the Internet (smartphone, tablet or PC) to download the BIM models of GEWISS products.



## WWW.GEWISS.COM

The new website, that can be used via any device, contains a wealth of handy information and offers easy access to product datasheets, photometric curves and instruction manuals (for download). In addition, for registered users there's a range of innovative services such as the possibility to build up your own personalised catalogue or insert products in your "favourites" list.



## LIGHTING CATALOGUE

The book dedicated to lighting describes the lighting solutions for indoors and outdoors, industrial contexts, the commercial sector, street lighting and even emergency lighting. Available at GEWISS.com

# GEWISS

Visit [www.gewiss.com](http://www.gewiss.com) and follow us on:



## GEWISS S.p.A.

Registered Office: Via A. Volta, 1  
24069 CENATE SOTTO BG - Italy  
T. +39 035 946 111 - F. +39 035 945 222  
[gewiss@gewiss.com](mailto:gewiss@gewiss.com) - [www.gewiss.com](http://www.gewiss.com)

Single member company - Bergamo Register of Companies / VAT code /  
Tax code (IT) 00385040167  
REA 107496 - Share capital 60,000,000.00 EUR fully paid up.

PB 22478 EN - 04.19

